

# Compound Sideboard 150

The Compound range name refers to the compound mitres used along the front of each unit. The same detail used on the back of the doors and drawers means that they have very narrow shut lines giving each piece a very minimal look. The legs are made out of solid American white oak and the body, doors and drawers are made from a combination of veneer and solid edged board. The doors and drawers also feature touch pop-out mechanisms, meaning no handles are required.

The range has extended to include four additional colour ways. Locally painted, the Compound Sideboard is now available to order in Resene Casal, Evolution, Dusted Grey and Just Right.

**Designed in New Zealand by Città**



[cittadesign.com/collection/compound](https://cittadesign.com/collection/compound)

Ask us about our payment partners | [cittadesign.com/payment-partners](https://cittadesign.com/payment-partners)  
[citta@cittadesign.com](mailto:citta@cittadesign.com)

**CITTÀ**

---

**MATERIAL**

American Oak/Oak Veneer

---

**FINISH**

Natural Oak MIT0054SBM    Black Oak MIT0057SBM



Pink MIT0067SBM

Grey MIT0068SBM

Green MIT0069SBM

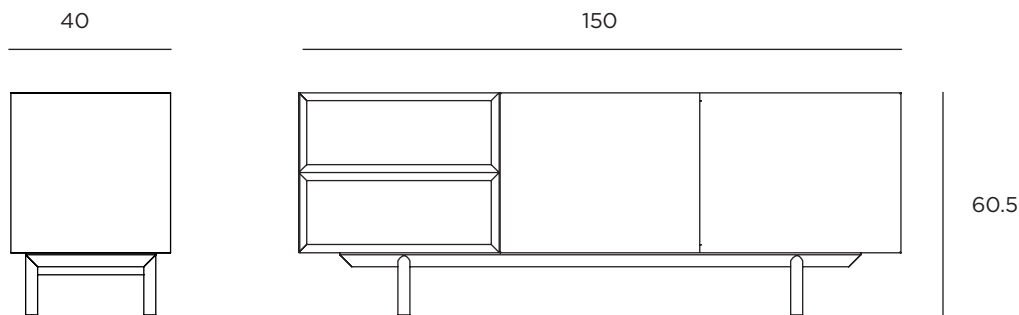


---

**DIMENSIONS**

Packaged  
Assembled

155x45x67.5cmh  
150x40x60.5cmh



---

**ASSEMBLY**

Assembly not required

---

**WEIGHT**

Packaged                    52.42kg  
Assembled                45.4kg

---

**CARE/CLEANING INSTRUCTIONS**

Clean with a soft damp cloth and water only. Do not use chemical cleaners on any surfaces. Avoid leaving water sitting on the wood as this can cause small spots and permanent marks - wipe immediately with a dry cloth. Wipe the lacquered surface using straight strokes not in a circular direction. After wiping the area use a dry cloth to remove any moisture left on the surface. General care: We do not recommend placing your furniture in direct sunlight or near sources of heat. This is due to the natural characteristics of wood as it expands and contracts with changes in humidity. Placing your furniture in these environments may cause the timber to dry out; shrink and crack. Do not place hot or sharp objects on the surface of the wood as this can cause irreparable damage. Also avoid using any harsh solvents such as nail polish remover/alcohol at all times.

---

[cittadesign.com/collection/compound](http://cittadesign.com/collection/compound)

Ask us about our payment partners | [cittadesign.com/payment-partners](http://cittadesign.com/payment-partners)  
[citta@cittadesign.com](mailto:citta@cittadesign.com)

**CITTÀ**