

# Mid Hut Stool w/ Metal Ring

A sleek metal ring encircling the American Oak Mid Stool lends a mid century modern edge to a practical, elegant piece.

Designed in New Zealand by Città



[cittadesign.com/collection/hut](http://cittadesign.com/collection/hut)

Ask us about our payment partners | [cittadesign.com/payment-partners](http://cittadesign.com/payment-partners)  
[citta@cittadesign.com](mailto:citta@cittadesign.com)

**CITTÀ**

---

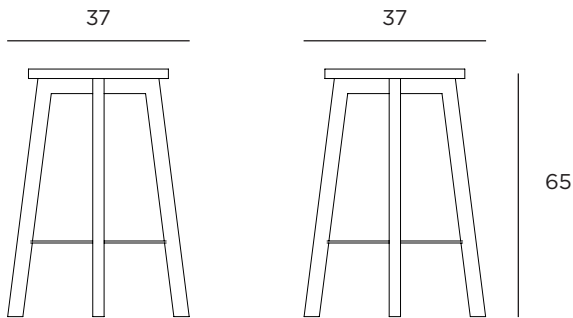
**MATERIAL**

Natural Oak

---

**COLOUR**Natural Oak/Black  
SNP0070Natural Oak/White  
SNP0075

---

**DIMENSIONS**Packaged  
Assembled50x50x68cmh  
37cmdia x 65cmh

---

**ASSEMBLY**

Assembly not required

---

**WEIGHT**Packaged 5.8kg  
Assembled 5kg

---

**CARE/CLEANING INSTRUCTIONS**

Clean with a soft damp cloth and water only. Do not use chemical cleaners on any surfaces. Avoid leaving water sitting on the wood as this can cause small spots and permanent marks - wipe immediately with a dry cloth. Wipe the lacquered surface using straight strokes not in a circular direction. After wiping the area use a dry cloth to remove any moisture left on the surface. General care: We do not recommend placing your furniture in direct sunlight or near sources of heat. This is due to the natural characteristics of wood as it expands and contracts with changes in humidity. Placing your furniture in these environments may cause the timber to dry out; shrink and crack. Do not place hot or sharp objects on the surface of the wood as this can cause irreparable damage. Also avoid using any harsh solvents such as nail polish remover/alcohol at all times.