

Dusk Bedhead

Featuring a solid frame and a soft upholstered outer. Customisable in a wide range of fabrics, excluding velvet options.

Designed and Made in New Zealand by Città



cittadesign.com/collection/dusk

Ask us about our payment partners | cittadesign.com/payment-partners
citta@cittadesign.com

CITTÀ

COMPOSITION

Frame: MDF/ Pine/ Foam/ Powder Coated Mild Steel/ Flexi Slats/ Head Bolts **Fabric:** Available in all Citta fabrics (except velvet)

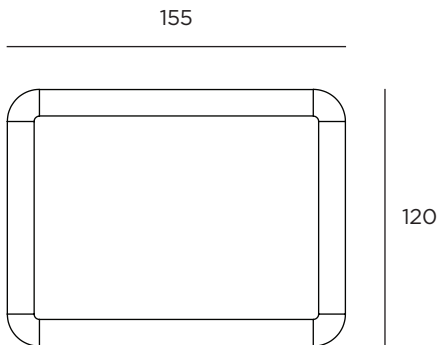
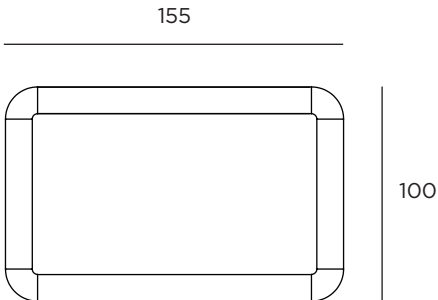
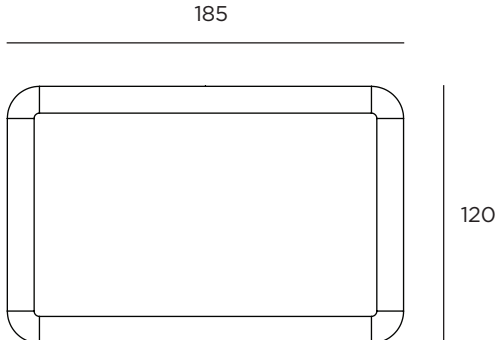
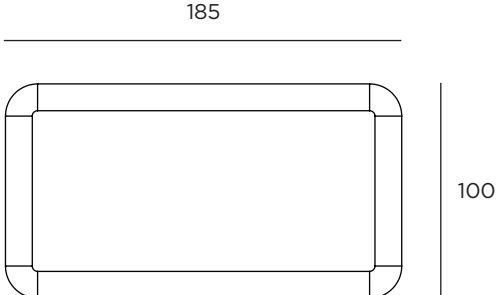
CODE

Dusk Bedhead Frame High FWL0082Q/K

Dusk Bedhead Frame Low FWL0083Q/K

DIMENSIONS

	Dusk Bedhead Frame High	Dusk Bedhead Frame Low
Queen	155x8x120cmh	155x8x100cmh
King/Super King	185x8x120cmh	185x8x100cmh

Queen		
King/Super King		

ASSEMBLY

Assembly not required

WEIGHT

	High Queen	High King	Low Queen	Low King
Packaged/Assembled		26kg		22kg

CARE/CLEANING INSTRUCTIONS

Remove any small marks by spot cleaning with a clean damp cloth or paper towel, if further care is needed please refer to the cleaning requirements of your specific fabric. We do not recommend using any fabric protector treatments, but if you do please ensure its water based. Pilling may occur occasionally as a result of normal daily wear and should not be considered as a fault. Fibre pills can be removed by a battery operated pilling tool available from most haberdashery stores. Vacuum on low suction using a soft upholstery attachment and avoid direct sunlight.

cittadesign.com/collection/dusk

Ask us about our payment partners | cittadesign.com/payment-partners
citta@cittadesign.com

CITTÀ