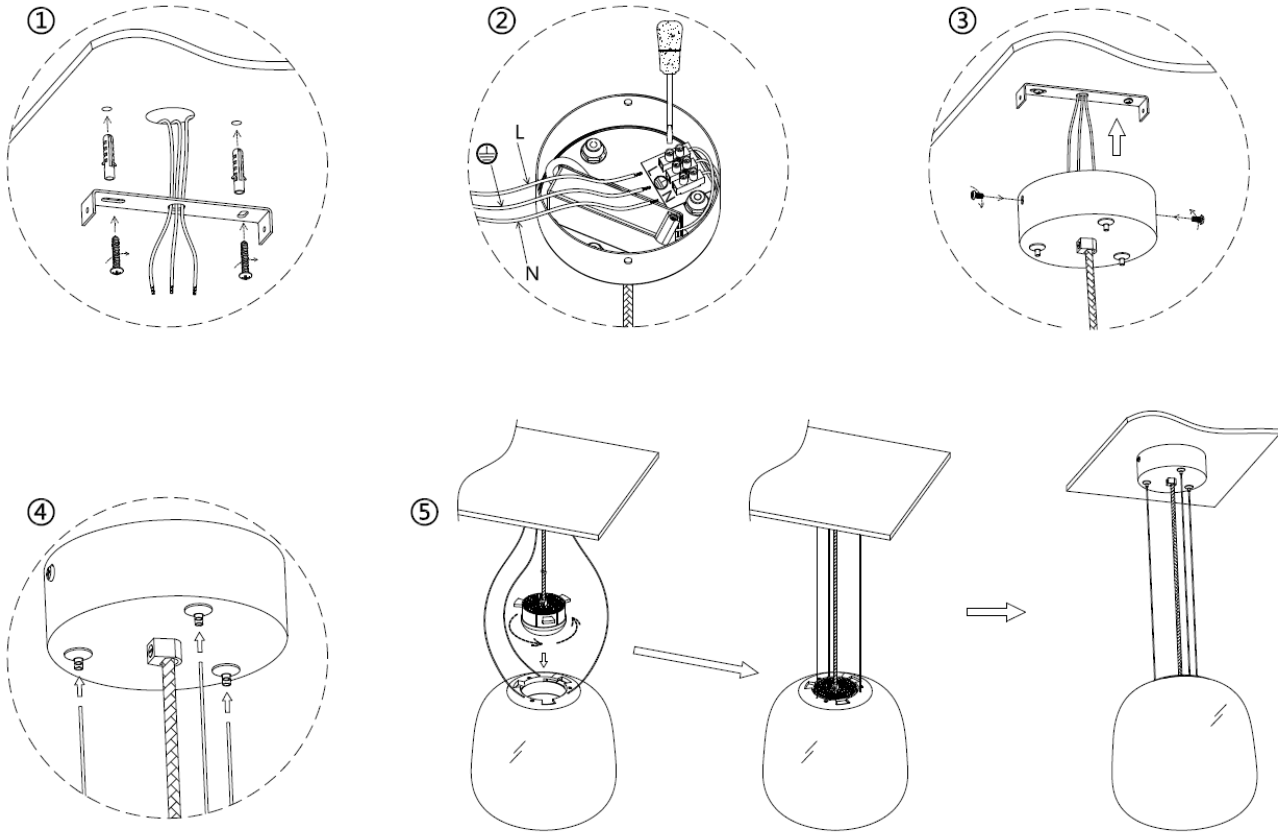


AB PENDANT LIGHT

CITTÀ

Installation Instructions

This product should only be installed by a registered electrician. Please read product manual before installation.



1. Disassemble the mounting bracket from the ceiling rose, fix the bracket onto the ceiling with two screws (The input power cord should pass through the center hole of the bracket).
2. Connect the input power cord into the right position of the connector which is inside the ceiling rose.
3. Install the ceiling rose onto the fixed mounting bracket using two screws.
4. Press the wire grip and insert the wire. The mechanism is self-locking, press to release and adjust. Repeat for other two wires then adjust all three wires to achieve desired height.
5. Put the LED module kit into the glass shade, adjust the cable to achieve the desired length, put the LED module into the shade holder and then turn the LED module to lock them together.