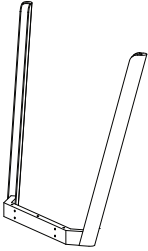
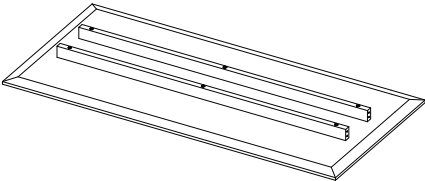
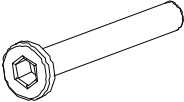


ASSEMBLY DINING TABLE

CITTÀ

Assembly Instructions

Legs x 2	Table Top x 1	Bolts x 8
		

Place tabletop upside down on a clean soft surface. Locate the legs onto the tabletop. Using the hex key provided; tighten each bolt through the leg hole into the tabletop rail. Once the legs are secured, use two people to flip the table into the upright position.

