

Linen Shorts

Set the weekend mood to easy living and relaxed sophistication with this Linen Shorts. The shorts have a relaxed fit and are made from 100% linen.

MATERIAL

100% Linen

DIMENSIONS

Small/Medium | Large

A - WAIST

32cm | 37cm

B - LEG LENGTH

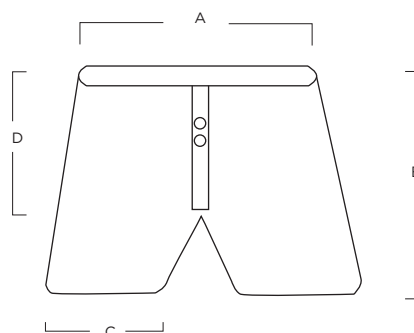
33cm | 36cm

C - LEG WIDTH

35cm | 37cm

D - THE RISE

26cm | 28cm



CARE/CLEANING INSTRUCTIONS

Cold gentle machine wash. Do not bleach. Drip dry in shade or tumble dry on low. Warm iron if required.

Dry cleanable. Fabric fades over time. Avoid direct light sources.