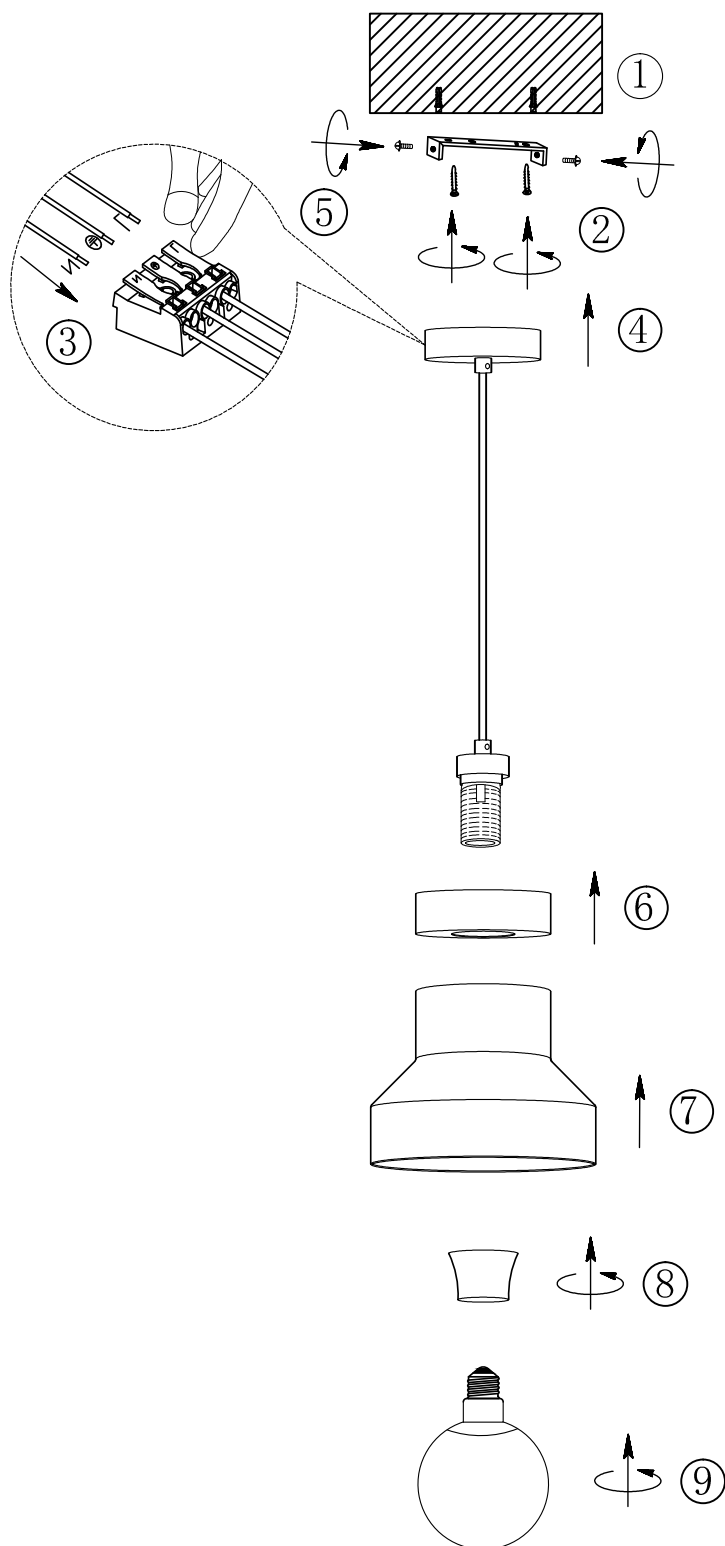


# PENDANT 45

## Installation Instructions

# CITTÀ

This product should only be installed by a registered electrician. Please read product manual before installation.



# PENDANT 45

## Installation Instructions

---

CITTÀ

This product should only be installed by a registered electrician. Please read product manual before installation.

If the external flexible cable or cord of this luminaire is damaged, it shall be exclusively replaced by the manufacturer or his service agent or a similar qualified person in order to avoid a hazard.

1. Locate the position for the ceiling rose and insert the plastic wall plugs if necessary.
2. Disassemble the mounting bracket from the ceiling rose, fix the bracket onto the ceiling with two screws.
3. Connect the input power cables into the right position of the connector which is inside the ceiling rose.
4. Locate the ceiling rose over the fixed mounting bracket.
5. Install the ceiling rose onto the fixed mounting bracket using the two screws.
6. Locate the top spun shade onto the lampholder.
7. Locate the main shade onto the lampholder.
8. Fix the top shade and main shade onto the lampholder by screwing on the plastic threaded component onto the bottom of the lampholder.
9. Screw in the Philips LED dolly bulb, which is supplied with the pendant.