

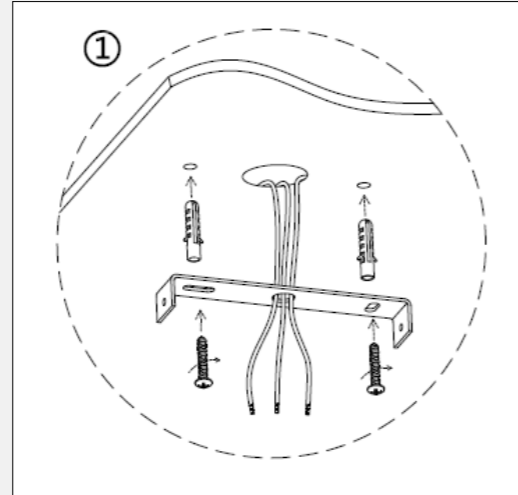
CITTÀ

Point Pendant

This product should only be installed by a registered electrician. Please read product manual before installation.

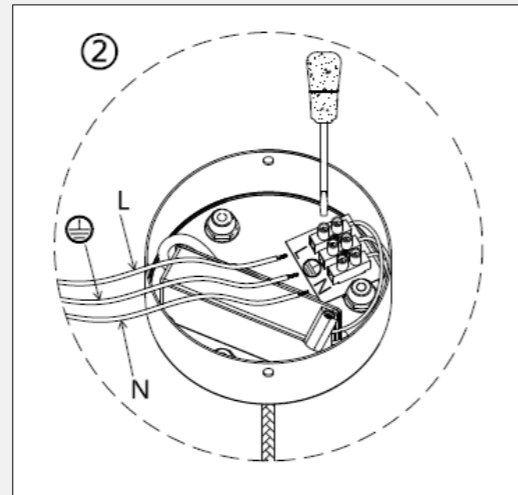
Step 1

Remove the mounting bracket from the ceiling rose and fix it on the mounting surface (The power cord should go through the center hole of the bracket);



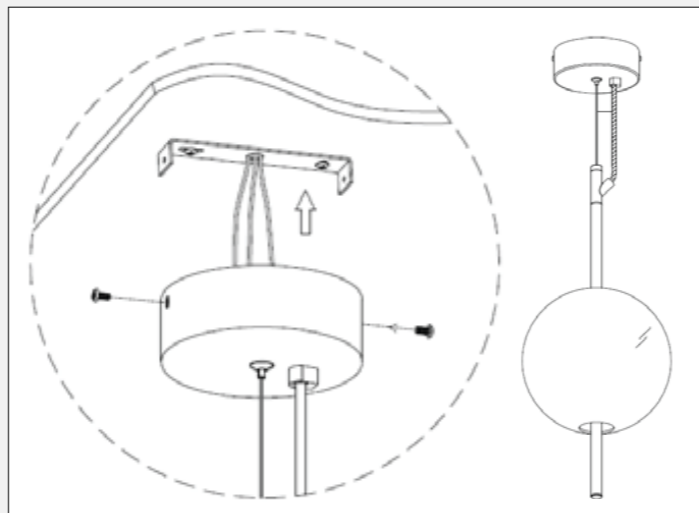
Step 2

Connect the power cord to the terminal in the ceiling rose, where a straight screwdriver is required;



Step 3

Fix the ceiling rose to the mounting bracket with two screws;



CITTÀ

Point Pendant Extension

Step 1

Remove the bottom cover of the lamp stem of the pre-positioned Point Pendant;

Step 3

Hold the Point Pendant and then rotate the Extension to connect them through the screw;
A Point Pendant can be connected with maximum 3pcs of Extensions;

Step 2

Make the bottom of the stem of the pre-positioned Point Pendant into the inside of the Point Extension;

