

# CITTÀ

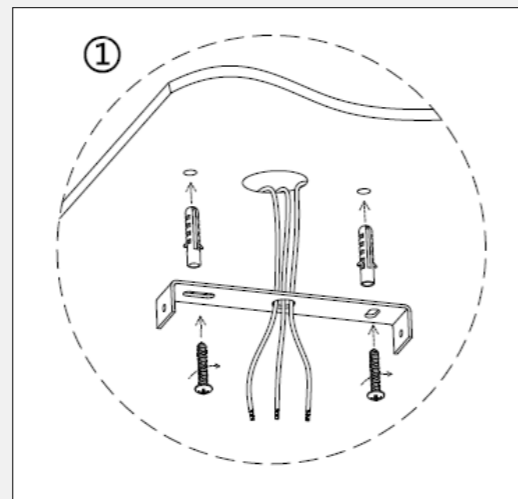
## AB Pendant

This product should only be installed by a registered electrician. Please read product manual before installation.

### Step 1

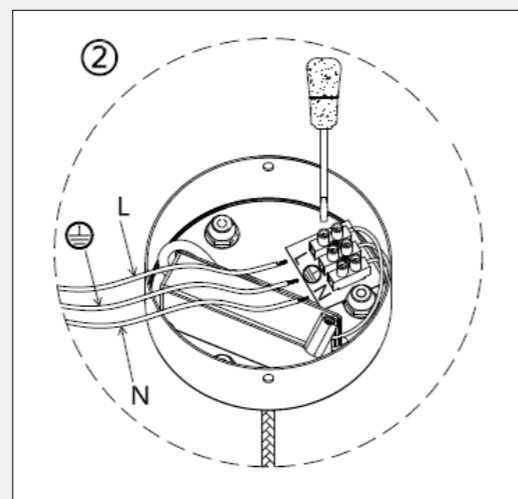
Disassemble the mounting bracket from the ceiling rose, fix the bracket onto the ceiling by 2pcs of screws,

(The input power cord should pass through the center hole of the bracket).



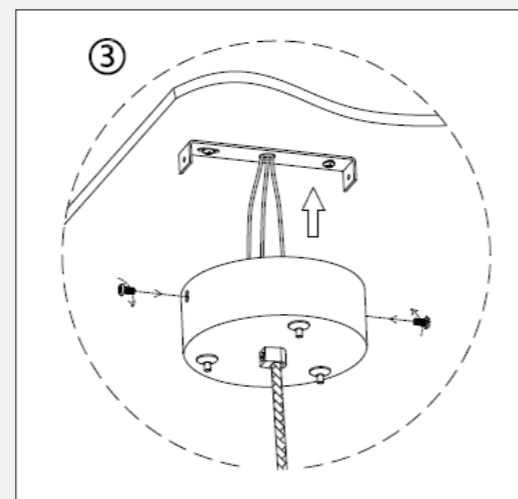
### Step 2

Connect the input power cord into the right position of the connector which is inside of the ceiling rose.



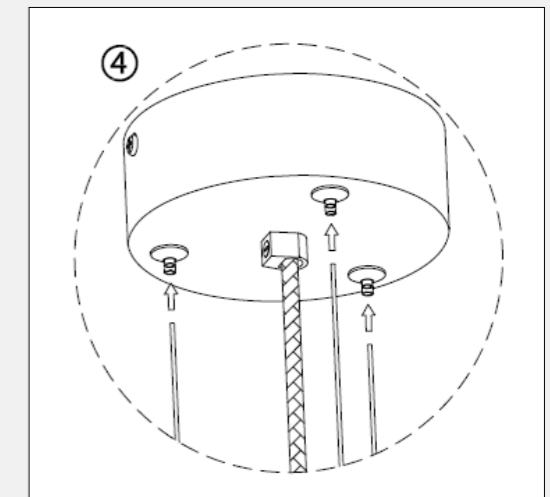
### Step 3

Install the ceiling rose onto the fixed mounting bracket using two screws, one on each side.



### Step 4

Press the expansion device and insert three pieces of wire into the three expansion devices. Press onto the expansion device to adjust the height of the wire, adjust each of the three wires up and down to ensure the pendant is hung straight.



### Step 5

Put the LED module kit into the glass shade, adjust the position of the three wings of LED module toward to the three gaps of the glass shade holder, place the LED module into the shade holder and then turn the LED module to lock them together.

