
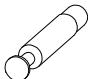

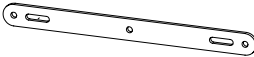
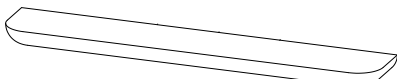
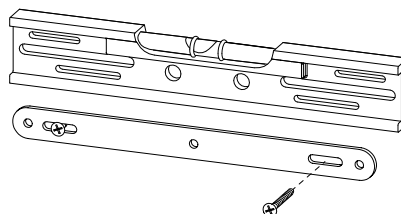
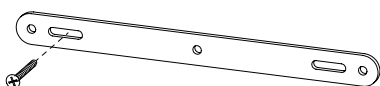


RADIAL FLOATING SHELF (L) CITTÀ

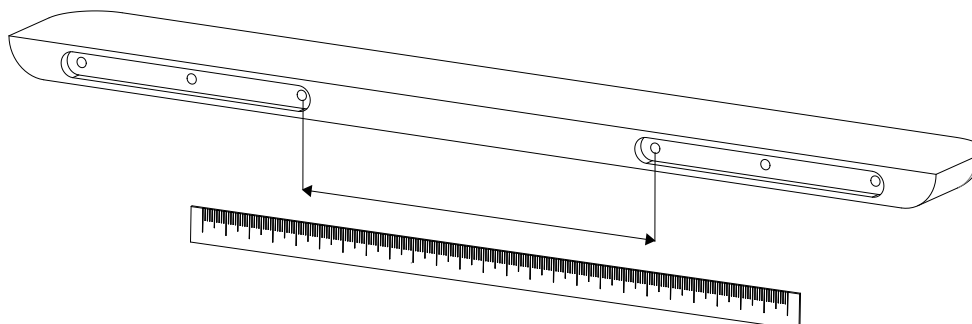
Installation Instructions

Screws x 4	Locator Pins x 6	Cam Lock Grip x 2
		
Bracket x 2	Shelf x 1	
		

1. Locate one of the brackets at desired wall position and screw in one screw. If screwing into a drywall, you may need to use a dry wall (GIB) fixing.
2. Level the bracket using a spirit level and screw in the second screw.



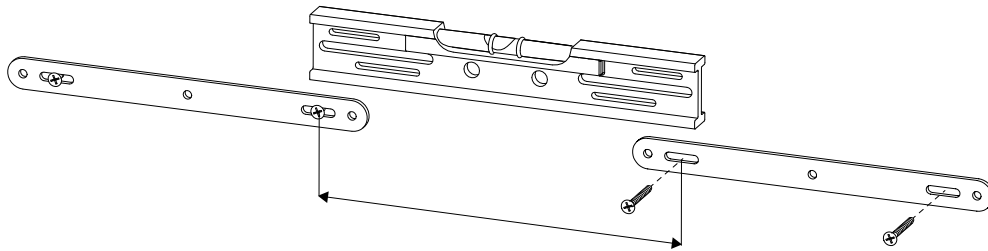
3. Measure distance between bracket holes



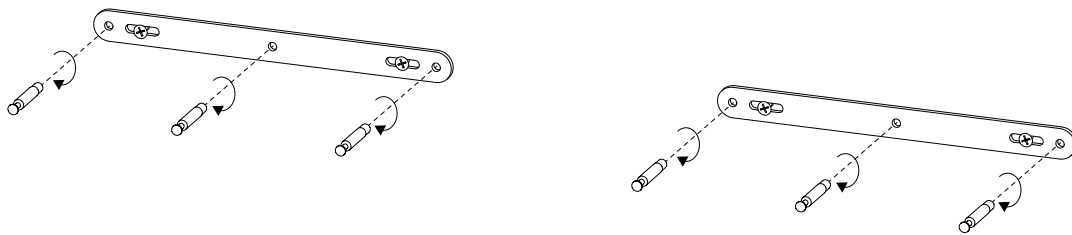
RADIAL FLOATING SHELF (L) CITTÀ

Installation Instructions

- Using level and ruler, mark out the second bracket at distance measured in step 3. Repeat steps 1 and 2 for the second bracket.



- Wind on the locator pins into the wall brackets.



- Locate the shelf onto the wall bracket, if the brackets do not match up to the shelf holes, you may need to loosen one of the brackets to align. Using a screwdriver insert the cam lock under the shelf and turn until you feel the cam lock grip the shelf to the wall. If cam lock does not grip you may need to remove the shelf and slightly unwind the locator pin and repeat step 5.

