

point floor lamp

product information document



CITTÀ

point floor lamp

The Point Floor Lamp is the result of a collaboration between product designer Alex Buckman and Città's 3D design team, David Moreland and Nikolai Sorensen.

The unique lamp makes a statement with its spherical hand-blown glass shade and pared-back aesthetic. The lamp emits an ambient light from the clear, grey shade. The matte black steel column has an integrated switch at the top, allowing you to dim the light.

MATERIAL

Mild Steel | Glass

COLOUR



Black Glass
EBL0008FL



Clear Glass
EBL0007FL

WEIGHT

Packaged Glass Sphere + Base Plate: 6.98kg | Lamp Stand: 0.88kg

Assembled Glass Sphere + Base Plate: 2.32kg | Lamp Stand: 0.18kg

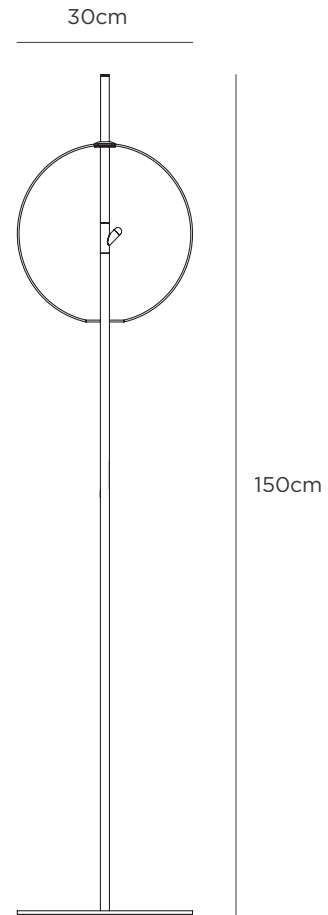
DIMENSIONS

Packaged 37.6x37.6x45cm | 149.5x55x45cm

Assembled 30cm x 150cmh

ASSEMBLY REQUIRED

Yes



CARE INSTRUCTIONS

Carefully clean with warm damp cloth.

SPECIFICATIONS

- Integrated 2 W 2700k LED Lightsource
- Lumen rating: 45 LM
- Cable Length: 150cm
- Plug: Yayao LED Driver, Model # YM12WO350PEU
- In Line Switch: Yayao Constant Current Dimmer, Model # YM24VRD350A
- On/Off and dimmer switch integrated into top of stem
- 3 year warranty
- LED has a 50,000 hour expected lifespan
- Not IP rated for bathroom or wet area use
- When assembling the light, please ensure it is not plugged in or turned on
- To connect the pole to the base, rotate the thread clockwise until the pole sits flush with the base
- Place the glass shade on the collar, then wind on the threaded top cap until it is flush with the glass
- There might be a small amount of movement in the glass once complete. This is intentional for movement if bumped