

high/low tide ottoman

product information document



CITTÀ

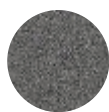
high/low tide ottoman

The High Tide Ottoman is a highly detailed, yet clean two-toned design that sits comfortably in any commercial or residential environment. It is upholstered in a wool blend to add warmth and texture to its environment. Put your feet up in style, use as a relaxed coffee table, or place at the end of a bed or in an entranceway. The medium ottoman is lower in height and larger in diameter, enabling it to double as an ottoman or a relaxed coffee table in the lounge next to your sofas. Designed in our New Zealand studio by David Moreland and Nikolai Sorensen and made locally in three sizes.

COMPOSITION

MDF/ Profile Cut Foam **Fabric:** 70% Wool/ 25% Polyamide/ 5% Acrylic

FABRIC



Wolf WFL0020



Armour WFL0021

LOW TIDE

EJP0005S (small)
EJP0005M (medium)
EJP0005L (large)

HIGH TIDE

EJP0004S (small)
EJP0004M (medium)
EJP0004L (large)

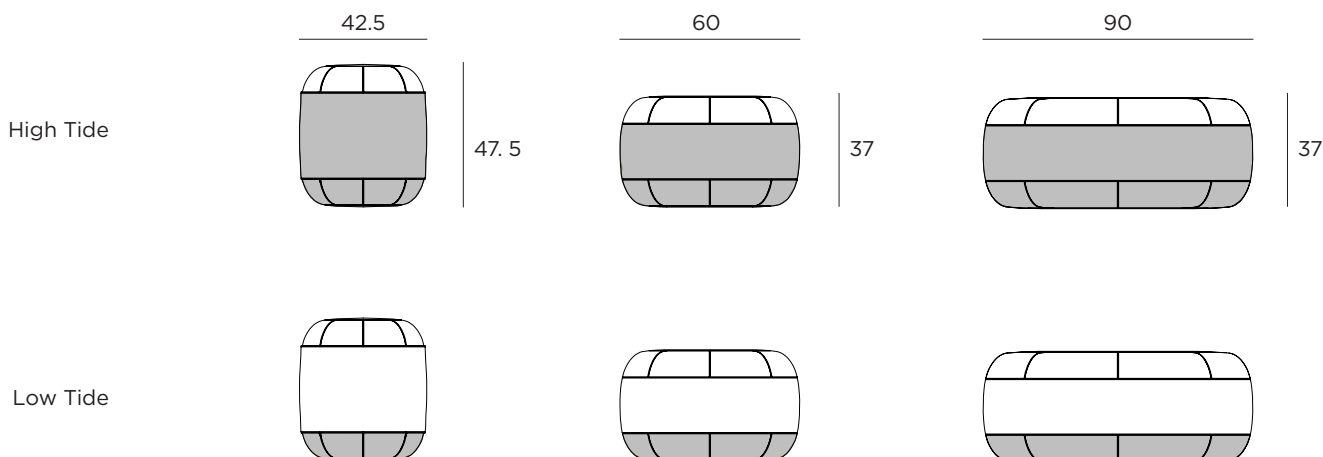
WEIGHT

Packaged: 4kg (small) | 6kg (medium) | 15kg (large)

Assembled: 4kg (small) | 6kg (medium) | 15kg (large)

DIMENSIONS

Packaged: 42.5diax47.5cmh (small) | 60diax37cmh (medium) | 90diax37cmh (large)



ASSEMBLY REQUIRED

No

CARE INSTRUCTIONS

Regular Care: Protect from direct sunlight. Vacuum regularly using low suction. Rotate reversible cushions regularly. Please consult the care label attached to your furniture for general cleaning information. Refer Care code #3 www.warwick.com.au