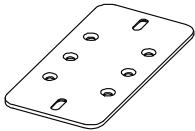



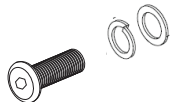
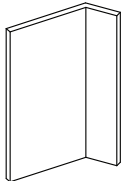
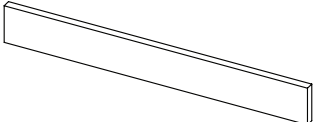
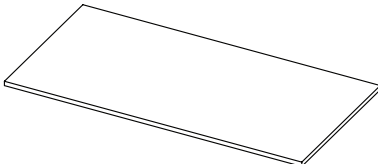


Tatamu Table

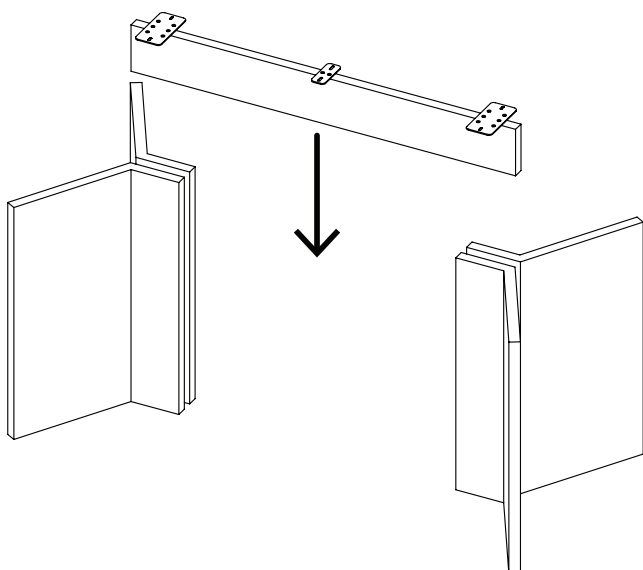
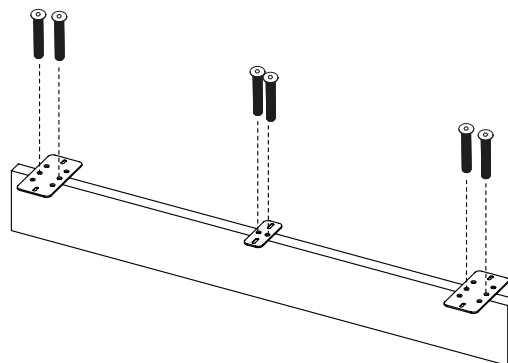
Assembly Instructions

CITTÀ

Rail Bracket 1 x 2	Rail Bracket 2 x 1	Leg Bracket x 4	Down Bolts x 22	Up Bolts x 14
				
Legs x 4	Rail x 1		Top x 1	
				

STEP 1

Using the countersunk down bolts and hex key provided, fix the rail brackets to the rail.



STEP 2

Stand the legs in place and slot the rail into the four legs.

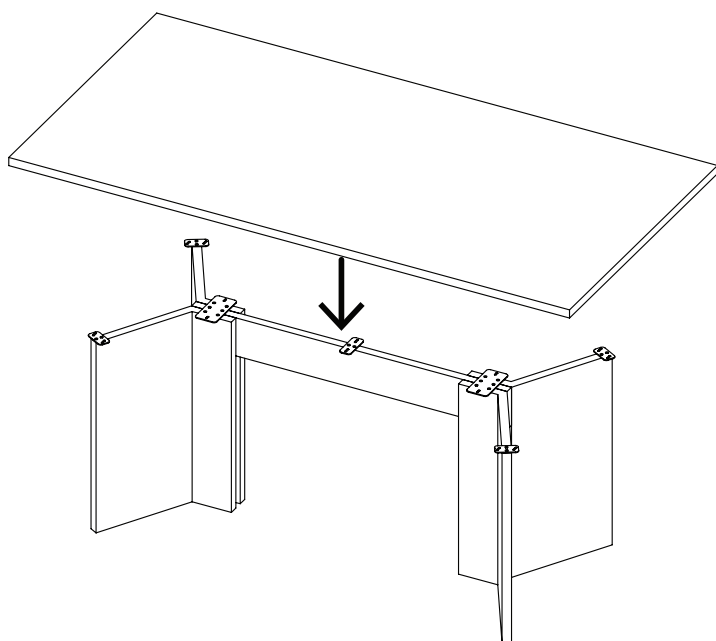
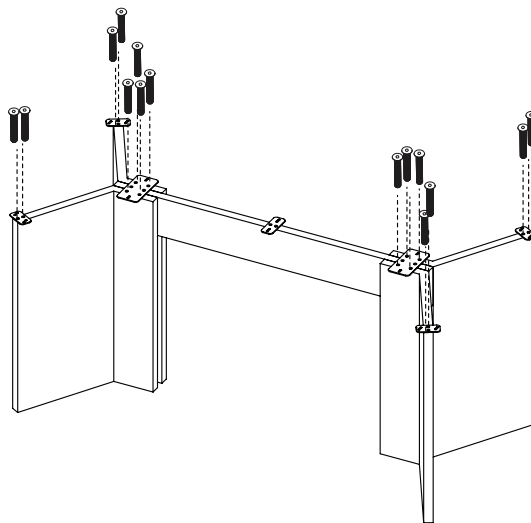
Tatamu Table

Assembly Instructions

CITTÀ

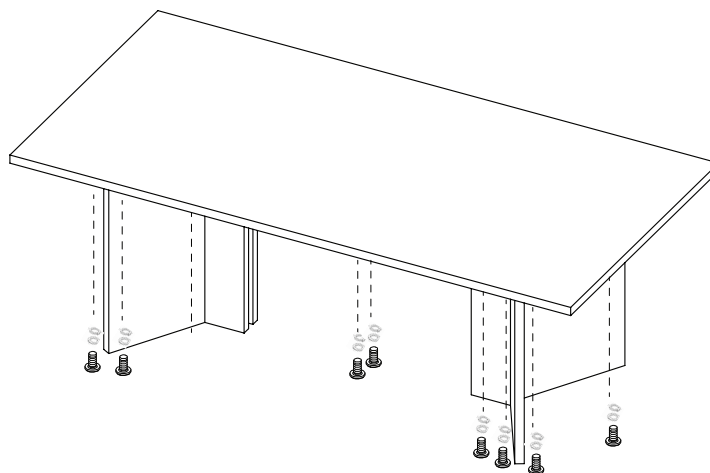
STEP 3

Fix the leg brackets in place with the remaining down bolts.
Note: there are left and right leg brackets, the slotted bolt holes should point to the center of the table.



STEP 4

Locate the table top onto the frame.
Making sure that the brackets are slotted into the recessed notches on the table top.



STEP 5

Secure the table top onto the frame
using the up bolts, washer and spring washers.