
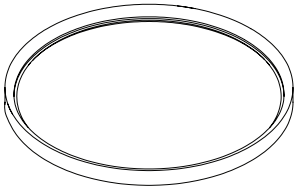
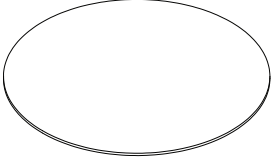
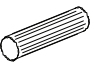
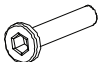


# COLUMN COFFEE TABLE

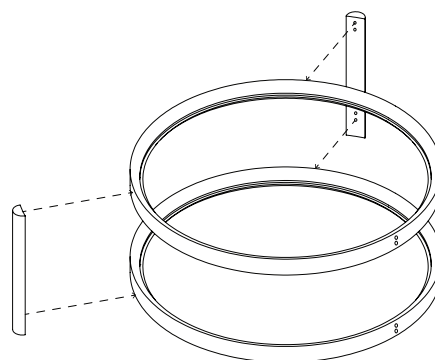
# CITTÀ

## Assembly Instructions

|   |   |   |
|---|---|---|
| Legs x 3  | Frame x 2   | Glass x 2   |
|  |  |  |
| Dowel x 6   | Bolts x 6   |   |
|  |  |   |

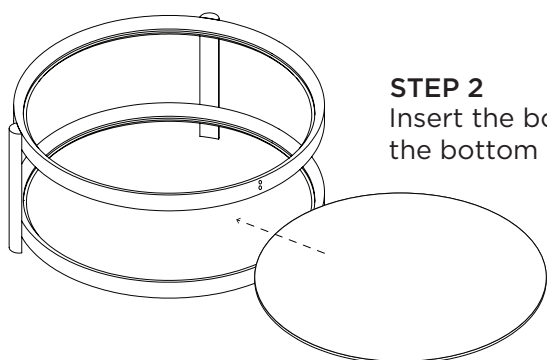
### STEP 1

With the help of an extra person to support the frame, insert the dowel into two legs and locate the legs onto the top and bottom frames. Insert the bolts into the underside of the frame and tighten.



### STEP 2

Insert the bottom glass into the bottom tier of the frame.



### STEP 3

Repeat STEP 1 with the remaining leg and insert top glass onto the top tier of the frame.

