

trace dining chair

product information document



CITTÀ

trace dining chair

The Trace Dining Chair is the result of an exciting collaboration between Hawke's Bay-based industrial designer Scott Fitzsimons and Città's Furniture Design team, David Moreland and Nikolai Sorensen.

The inspiration behind this unique piece originated from a simple line drawing in space. Straight lines have been replaced with gentle curves giving the chair a softer hand-drawn feel. An exercise in reduction, the Trace Chair is a minimal yet comfortable chair with an elegant and understated character.

COLOUR



Oak

TSF0146



Oak/Leather Seat

TSF0147



Oak/Upholstered Seat

TSF0148

WEIGHT

Packaged (2 chairs) 17kg

Assembled (single chair) 5kg

DIMENSIONS

Packaged 65x57x110cmh

Assembled 51x51x78cmh

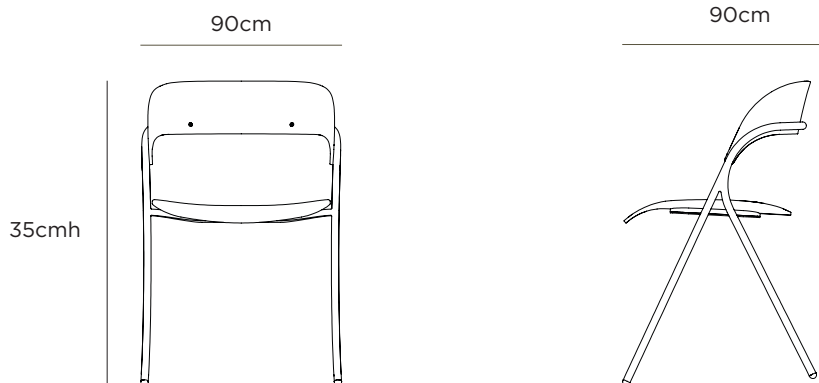
MATERIAL

Base

Mild Steel

Seat

Oak/Leather/Upholstery



ASSEMBLY REQUIRED

Yes.

CARE INSTRUCTIONS

Clean with a soft damp cloth and water. Wipe immediately with a dry cloth. Avoid leaving water sitting on the wood as this can cause small spots or permanent marks. Do not use chemical cleaners on any surfaces.

trace dining chair

The Trace Dining Chair is the result of an exciting collaboration between Hawke's Bay-based industrial designer Scott Fitzsimons and Città's Furniture Design team, David Moreland and Nikolai Sorensen.

The inspiration behind this unique piece originated from a simple line drawing in space. Straight lines have been replaced with gentle curves giving the chair a softer hand-drawn feel. An exercise in reduction, the Trace Chair is a minimal yet comfortable chair with an elegant and understated character.

COLOUR



Black

TSF0149



Black/Leather Seat

TSF0150



Black/Upholstered Seat

TSF0151

WEIGHT

Packaged (2 chairs) 17kg

Assembled (single chair) 5kg

DIMENSIONS

Packaged 65x57x110cmh

Assembled 51x51x78cmh

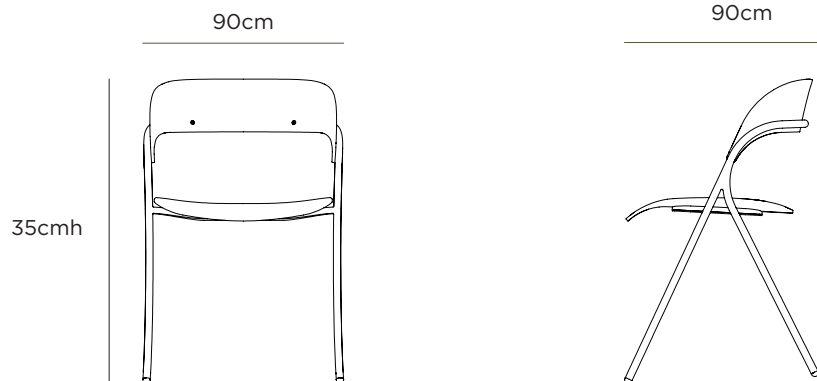
MATERIAL

Base

Mild Steel

Seat

Oak/Leather/Upholstery



ASSEMBLY REQUIRED

Yes.

CARE INSTRUCTIONS

Clean with a soft damp cloth and water. Wipe immediately with a dry cloth. Avoid leaving water sitting on the wood as this can cause small spots or permanent marks. Do not use chemical cleaners on any surfaces.

trace dining chair

The Trace Dining Chair is the result of an exciting collaboration between Hawke's Bay-based industrial designer Scott Fitzsimons and Città's Furniture Design team, David Moreland and Nikolai Sorensen.

The inspiration behind this unique piece originated from a simple line drawing in space. Straight lines have been replaced with gentle curves giving the chair a softer hand-drawn feel. An exercise in reduction, the Trace Chair is a minimal yet comfortable chair with an elegant and understated character.

COLOUR



Walnut
TSF0152



Black/Leather Seat
TSF0153



Black/Upholstered Seat
TSF0154

WEIGHT

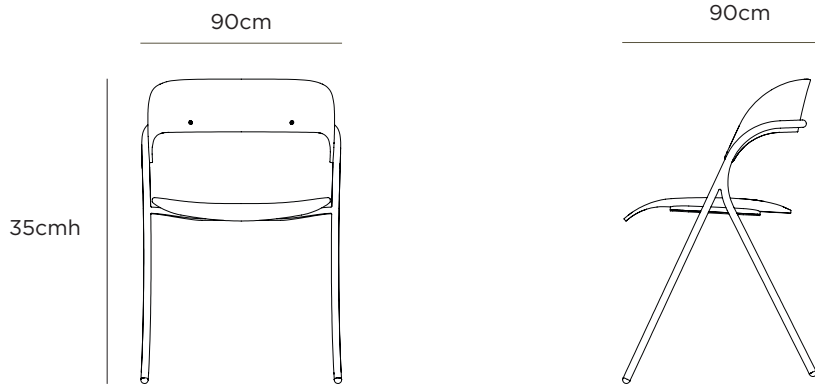
Packaged (2 chairs)	17kg
Assembled (single chair)	5kg

DIMENSIONS

Packaged	65x57x110cmh
Assembled	51x51x78cmh

MATERIAL

Base	Seat
Mild Steel	Walnut/Leather/Upholstery



ASSEMBLY REQUIRED

Yes.

CARE INSTRUCTIONS

Clean with a soft damp cloth and water. Wipe immediately with a dry cloth. Avoid leaving water sitting on the wood as this can cause small spots or permanent marks. Do not use chemical cleaners on any surfaces.