

craft cabinet

product information document

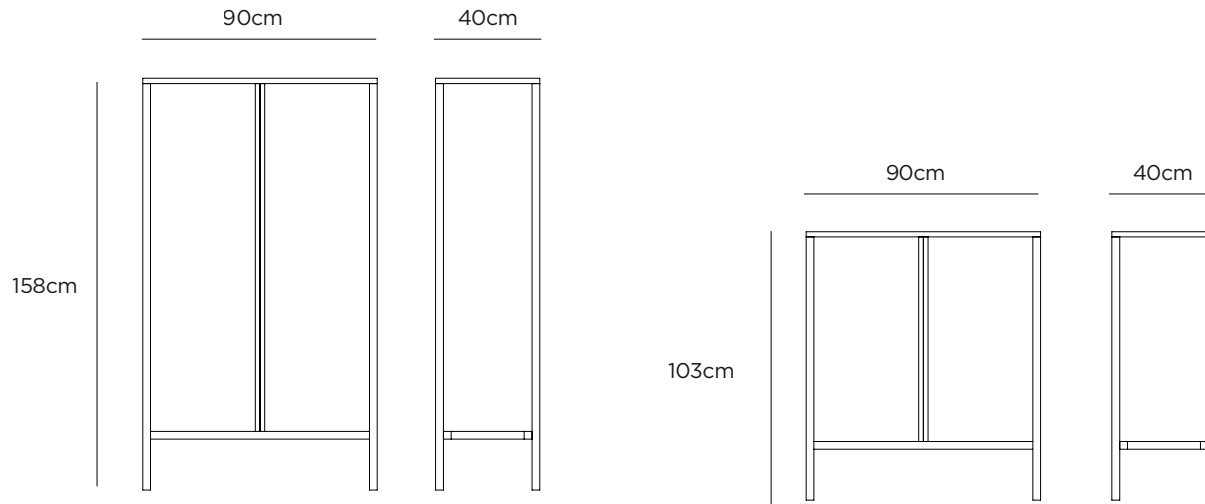


CITTÀ

craft cabinet

The Craft Cabinet provides an elegant storage solution with a strong structured aesthetic. The vertical uprights and handles work in unison with the discreet horizontal overhangs to frame the drawer fronts, creating a bold yet clean design. Made with a solid oak frame with oak veneer panels, doors and shelves. Finished with a clear, matte lacquer. Features Hafele door hinges and adjustable shelves.

Designed in our New Zealand studio by David Moreland and Nikolai Sorensen.



DIMENSIONS

Packaged 101x51x116.2 cmh (medium)
101x51x171.2 cmh (large)

Assembled 90x40x103cmh (medium)
90x40x158cmh (large)

MATERIAL

Solid Oak | Oak Veneer

WEIGHT

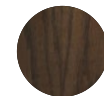
Packaged 70.5kg (medium) | 102kg (large)
Assembled 57kg (medium) | 80kg (large)

COLOUR



Oak

OT10002M (medium)
OT10002L (Large)



Smoked Oak

OT10005M (medium)
OT10005L (Large)

ASSEMBLY REQUIRED

No

CARE INSTRUCTIONS

Clean with a soft damp cloth and water. Wipe immediately with a dry cloth. Avoid leaving water sitting on the wood as this can cause small spots or permanent marks. Do not use chemical cleaners on any surfaces.