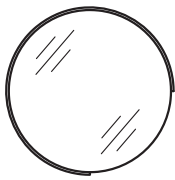
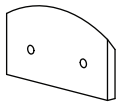

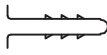


# SEGMENT MIRROR

CITTÀ

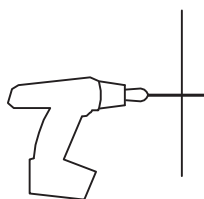
## Installation Instructions

---

| Mirror  | Mounting Plate  | Screws x 2   | Wall plugs x 2  |
|---|---|--|---|
|  |  |  |  |

We recommend using a qualified builder to install this product.

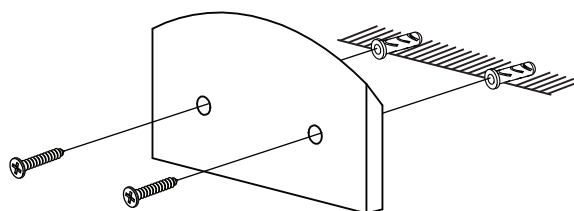
1. Drill two holes into the wall (at least one should hit a stud). Ensure that the holes are the same distance apart as the holes on the mounting plate.



2. Insert wall plug(s) into the holes in the wall where needed.



3. Make sure the mounting plate lines up with the holes/wall plug(s).



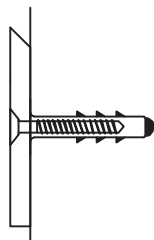
# SEGMENT MIRROR

CITTÀ

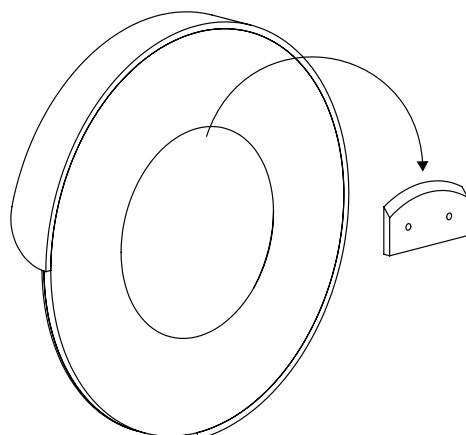
## Installation Instructions

---

4. Fix the screws through the mounting plate into the wall using the screws provided.



5. Hang the mirror onto the mounting plate. Ensure the split batten sits tightly onto the mounting plate and the mirror sits flush against the wall.



6. Rotate the mirror direction to your preference.

