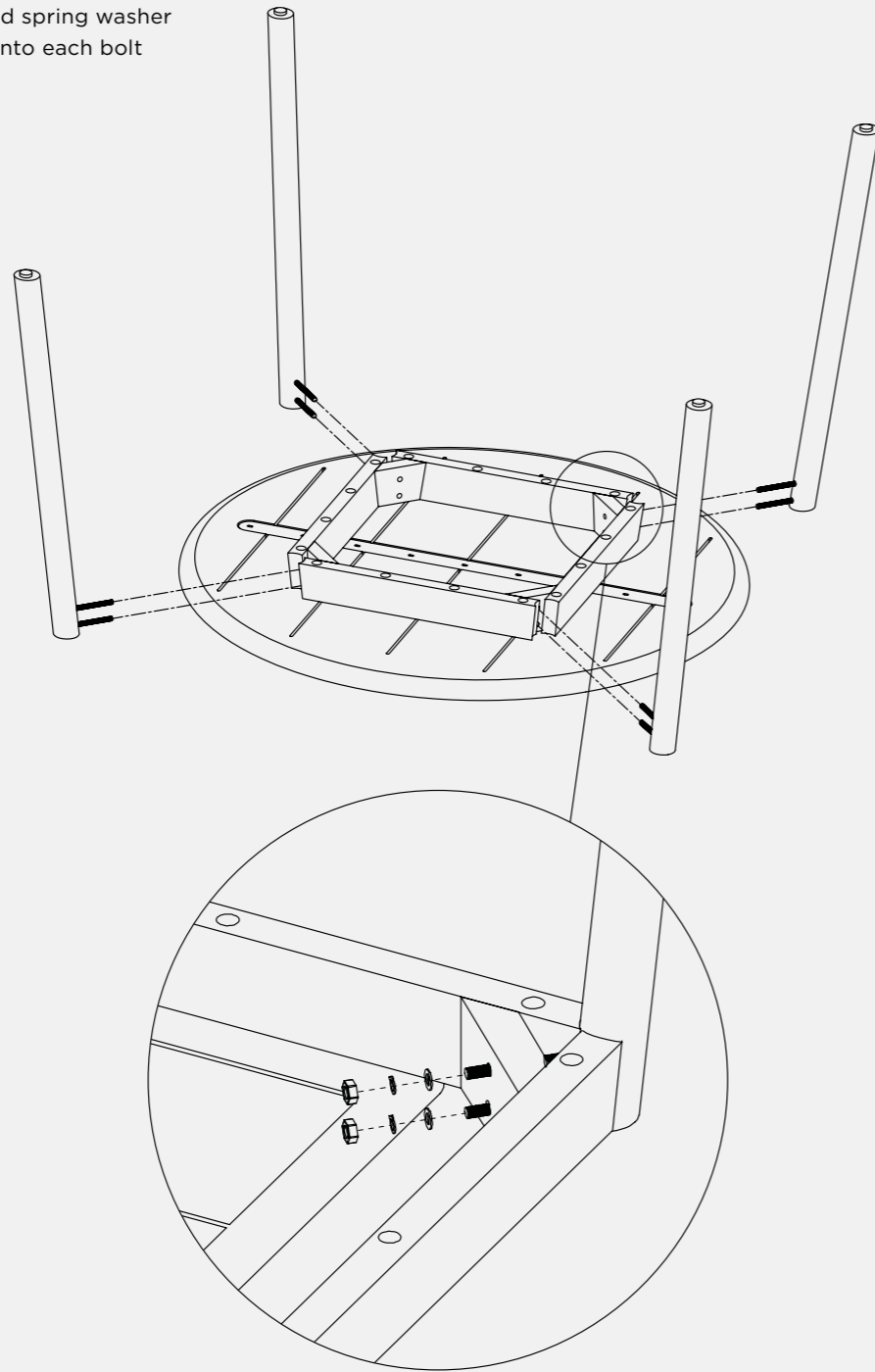


Step 2

Put leg into place. Thread a washer and spring washer onto each bolt. Loosely tighten nuts onto each bolt before tightening evenly.



CITTÀ

Radial Round Dining Table

Legs x 4	Table Top
Spanner x 1	Washer, Spring Washer and Nut x 8

Step 1

Always assemble table on a soft clean surface. Use spanner provided to tighten all nuts. Always use two people to flip the table over to an upright position. Match each numbered leg to the corresponding numbered corner.

