


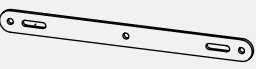
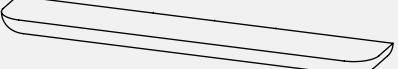


CITTÀ

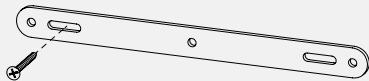
Radial Floating Shelf | S

A. Screws x 2	B. Locator Pins x 3	C. Cam Lock Grip
		
D. Bracket	E. Shelf	
		

We recommend using a qualified builder to install this product.
We also recommend hitting a stud with at least one screw.

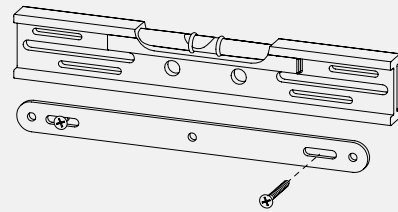
Step 1

Locate bracket at desired wall position and screw in one screw. If screwing into a drywall, you may need to use a dry wall (GIB) fixing as provided.



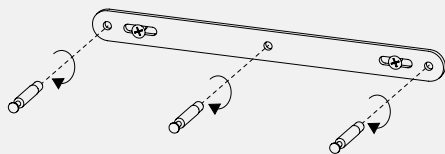
Step 2

Level the bracket using a spirit level and screw in the second screw.



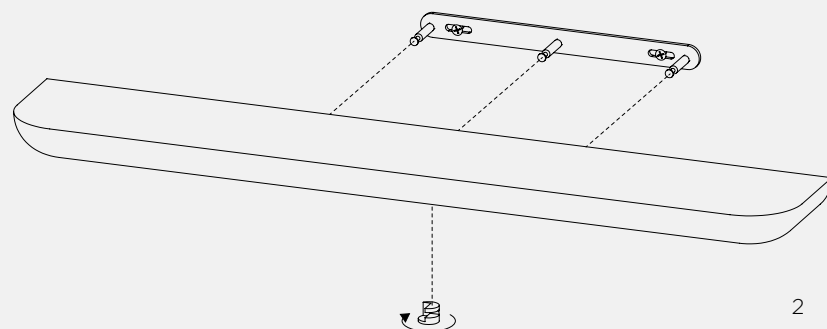
Step 3

3. Screw the locator pins to the wall bracket.





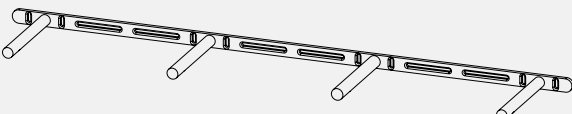
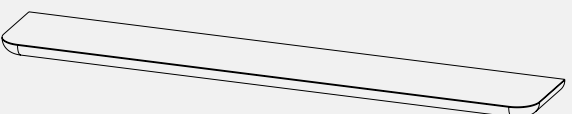
Step 4

Level the bracket using a spirit level and screw in the second screw.



CITTÀ

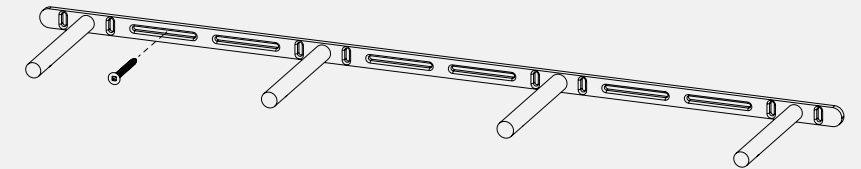
Radial Floating Shelf | XL & XXL

Screws x 6	Bolts x 4
	
Bracket	Shelf
	

We recommend using a qualified builder to install this product.
All screws must fix into a load bearing wall.

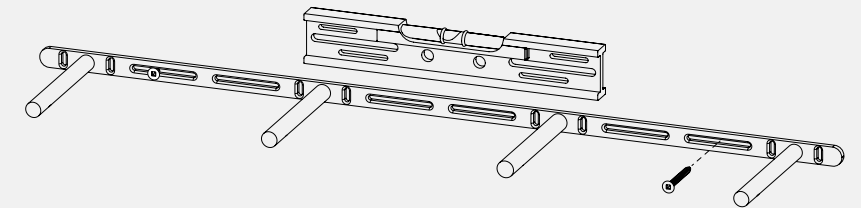
Step 1

Locate bracket at desired wall position on wall, screw in first screw.



Step 2

Level the bracket using a spirit level and screw in the second screw followed by the remaining screws.



Step 3

Locate the shelf on the wall bracket, secure shelf with bolts.

