
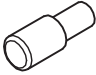


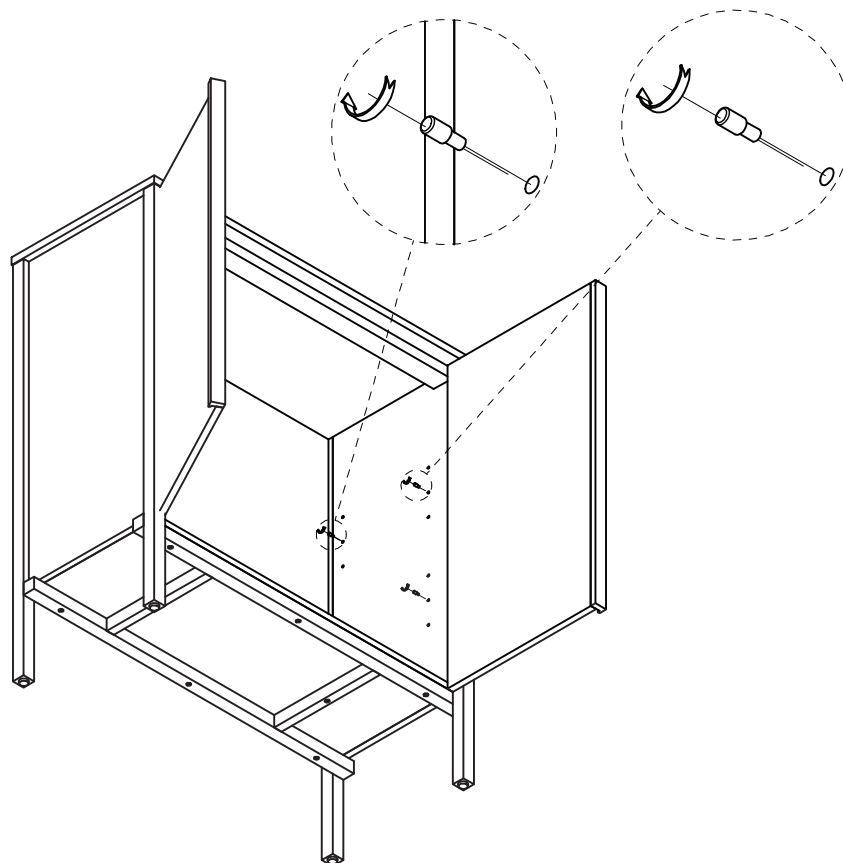
CRAFT CABINET MEDIUM

CITTÀ

Assembly Instructions

	Part	Qty
Shelf		2
Pin		8

- 1: Tighten the shelf pins onto the cabinet where you want the shelf positioned.

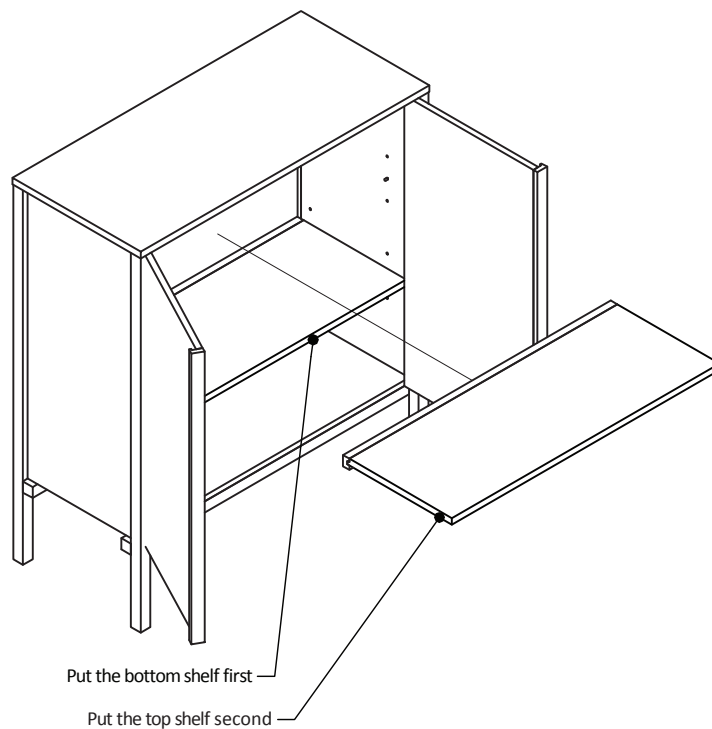


CRAFT CABINET MEDIUM

Assembly Instructions

CITTÀ

- 2: Place the shelves on the pins, the deeper solid timber shelf edge sits at the back of the cabinet.



- 3: Install the anti tip restraint to the back of the cabinet using the instructions provided with the anti tip kit.

