




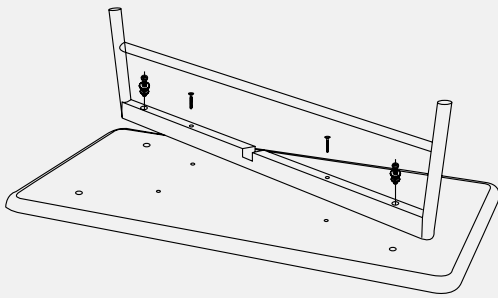


CITTÀ

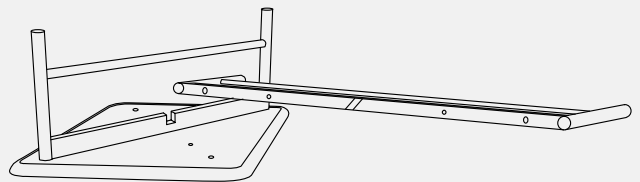
Radial Rectangle Coffee Table

Washer L x 4	Washer S x 4	Bolts	Allen Key	Screws x 2
				

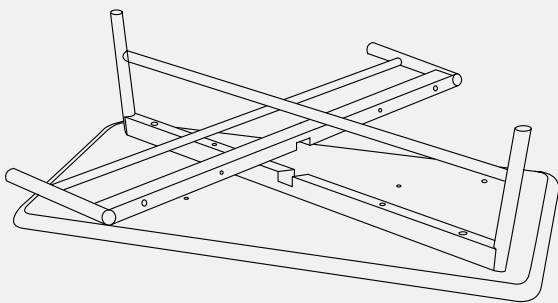
Step 1



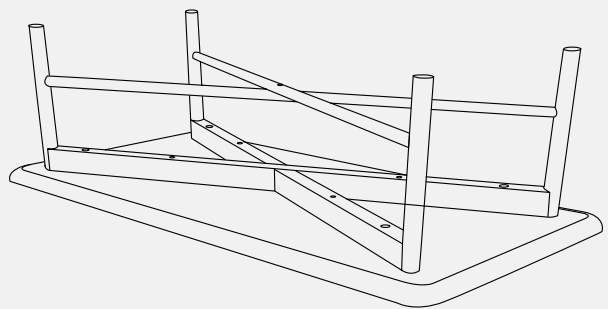
Step 2



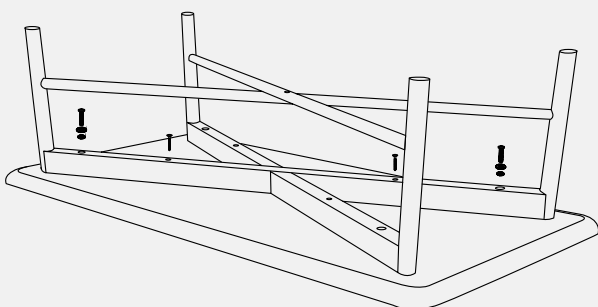
Step 3



Step 4



Step 5



Step 6

