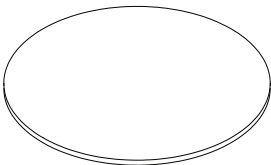
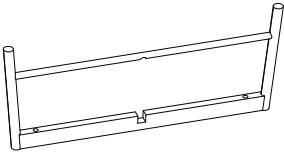
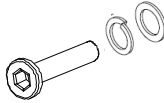



RADIAL COFFEE TABLE

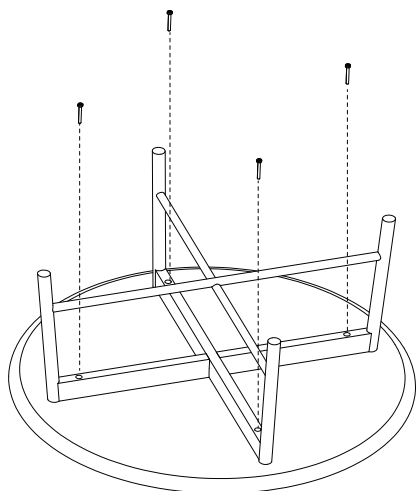
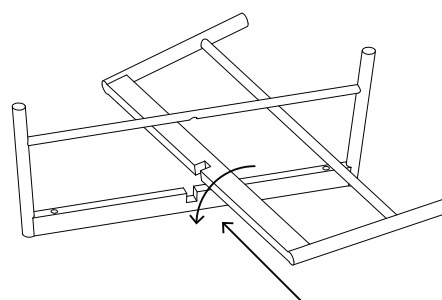
CITTÀ

Assembly Instructions

Top x 1	Legs x 2	Bolts x 4	Screw x 1
			

STEP 1

Insert one leg through the other. While inserting into the location slots together, gently raise the internal leg until both legs are slotted together.



STEP 2

Using the Allen key provided, locate and tighten the bolts and washers through the legs into the tabletop.

STEP 3
Fix the screw into the two cross braces.

