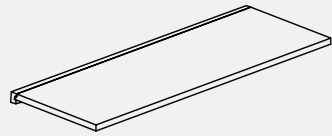
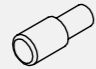


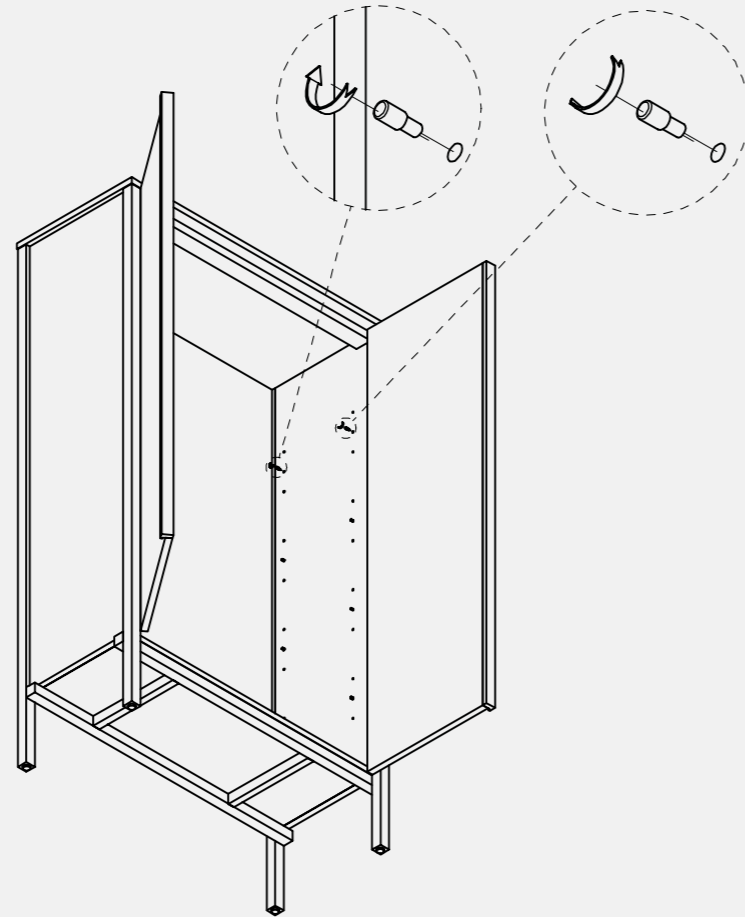
CITTÀ

Craft Cabinet | Large

Shelf x 4	Pin x 16
	

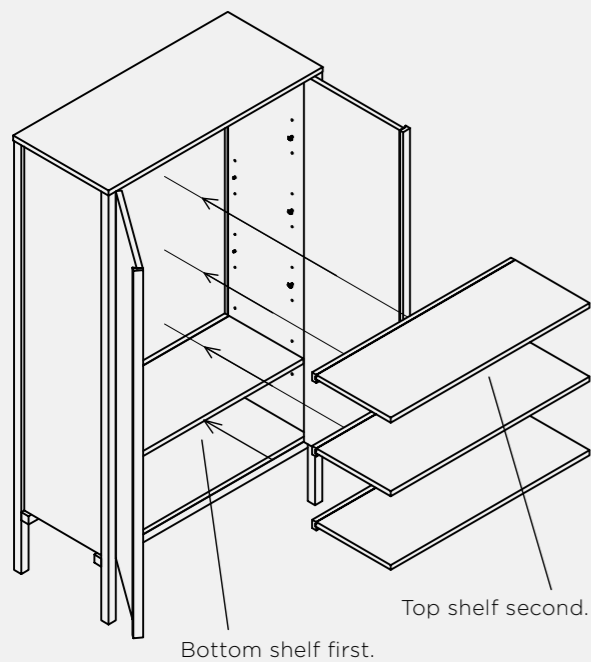
Step 1

Tighten the shelf pins onto the cabinet where you want the shelf positioned.



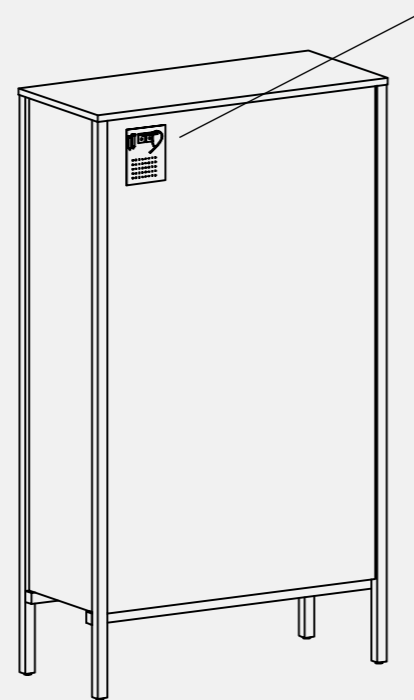
Step 2

Place the shelves on the pins, the deeper solid timber shelf edge sits at the back of the cabinet.



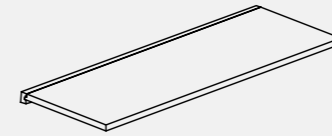

Step 3

Install the anti tip restraint to the back of the cabinet using the instructions provided with the anti tip kit.



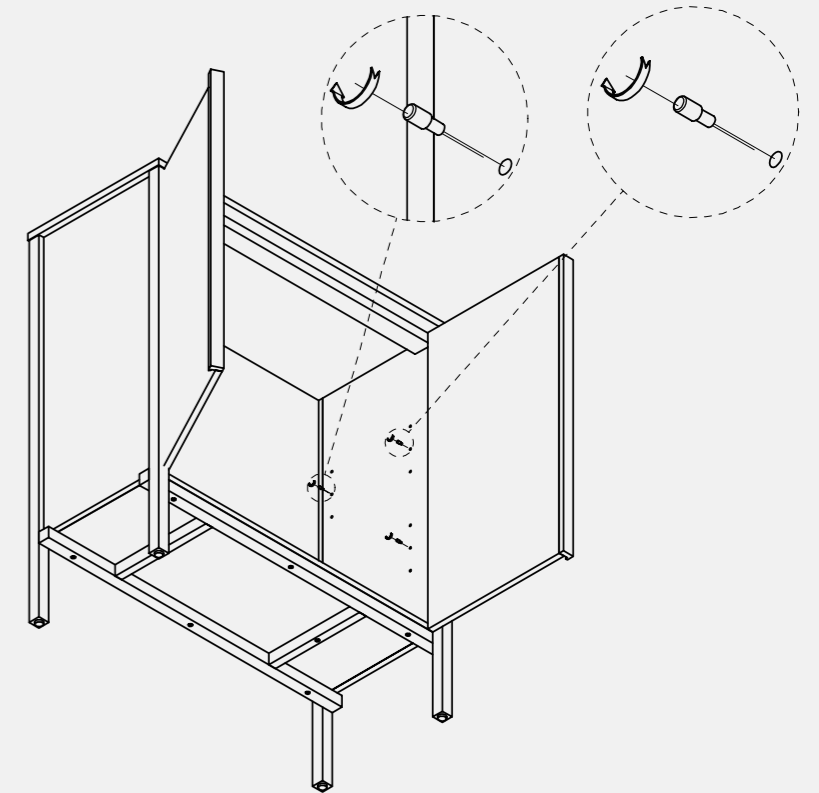
CITTÀ

Craft Cabinet | Medium

Shelf x 2	Pin x 8
	

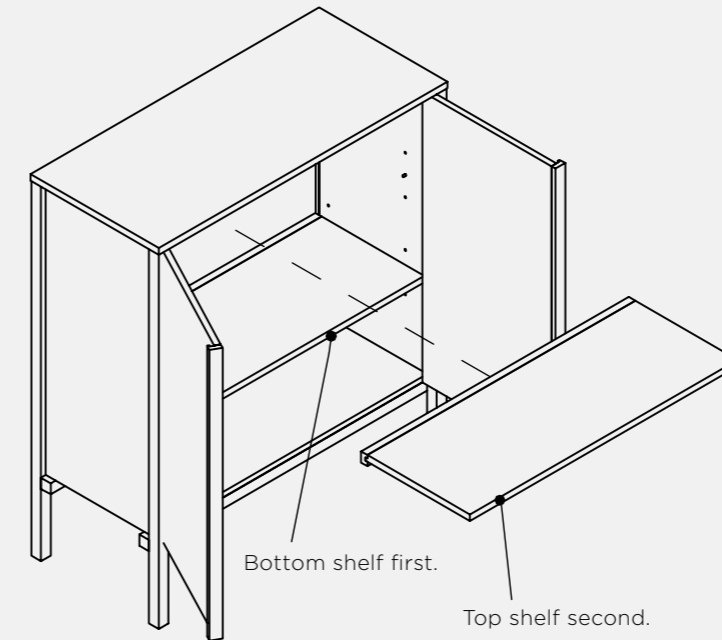
Step 1

Tighten the shelf pins onto the cabinet where you want the shelf positioned.



Step 2

Place the shelves on the pins, the deeper solid timber shelf edge sits at the back of the cabinet.



Step 3

Install the anti tip restraint to the back of the cabinet using the instructions provided with the anti tip kit.

