
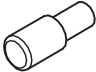


# CRAFT SIDEBOARD MEDIUM

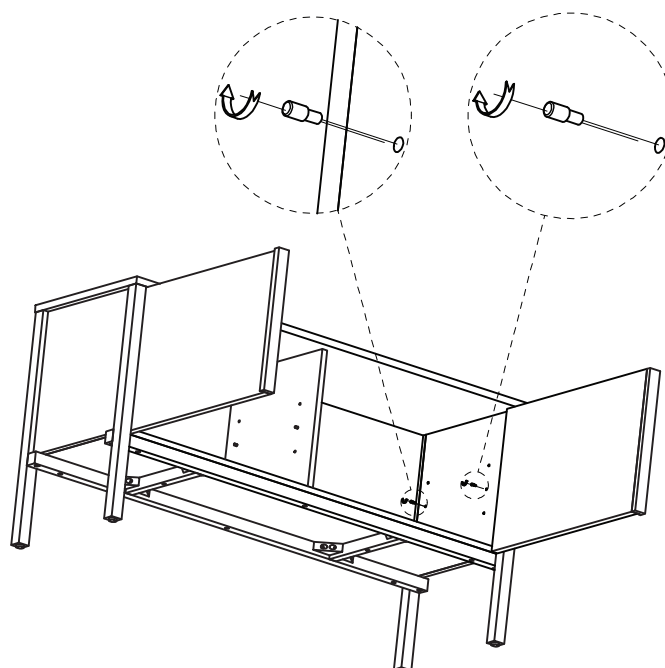
# CITTÀ

## Assembly Instructions

---

|       | Part  | Qty |
|-------|---|-----|
| Shelf |  | 2   |
| Pin   |  | 8   |

- 1: Tighten the shelf pins onto the cabinet where you want the shelf positioned.



- 2: Place the shelves on the pins, the deeper solid timber shelf edge sits at the back of the cabinet.

