

daily sofa

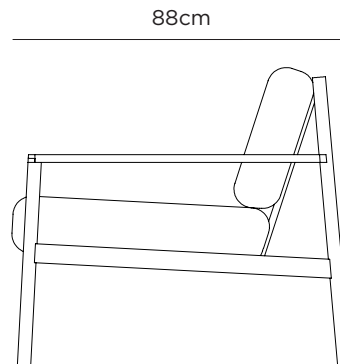
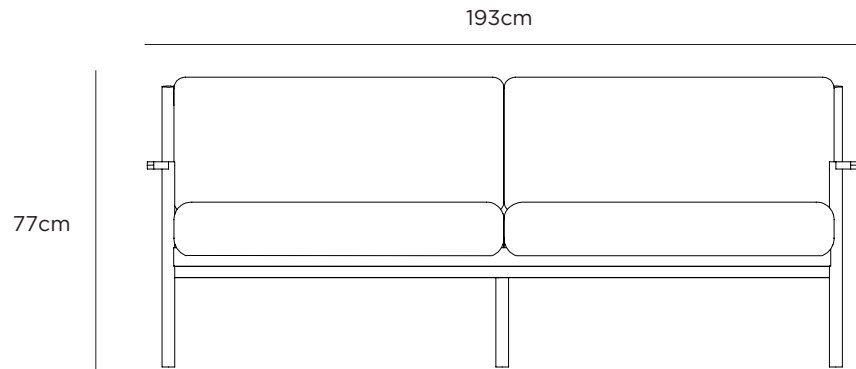
product information document



CITTÀ

daily sofa

After the success of our Daily armchair, we have expanded the range to include a 3-seater sofa and the option of a walnut finish. The Daily collection strikes the perfect balance of classic yet modern design. It takes inspiration from mid-century style, combined with a timeless aesthetic to meet today's needs and seamlessly integrate into all living spaces.



MATERIAL

Frame: American Oak | American Walnut

Fill: 50% Feather/50% Fibre with 100% Cotton Down Proof.

COLOUR



American Oak
NX10067
(frame only)



American Walnut
NX10068
(frame only)

FABRIC

FWL0115 (Upholstery & Base)

Please refer to *"Fabric Specifications PDF"* for fabric options.

Fabric Required: 7.7m

WEIGHT

Packaged 18kg

Assembled 16kg

DIMENSIONS

Packaged 88x193x77cmh

Assembled 88x193x77cmh

ASSEMBLY REQUIRED

No

CARE INSTRUCTIONS

Dampen cloth in a solution of water and a neutral detergent and wipe clean. Remove soap residue immediately using a clean dry cloth. Do not use scouring pads or scouring cream as they may scratch the surface. Do not use cleaning products containing alcohol as they may damage the surface. Remove any small marks by spot cleaning with a clean damp cloth or paper towel. If further care is needed please refer to the cleaning requirements of your specific fabric. We don't recommend using any fabric protector treatments but if you do please ensure its water based. Pilling may occur occasionally as a result of normal daily wear and should not be considered as a fault. Fibre pills can be removed by a battery operated pilling tool available from most haberdashery stores. Vacuum on low suction using a soft upholstery attachment and avoid direct sunlight. Regularly plump and turn any feather filled cushions to ensure that they retain their shape with any fixed components smooth over the fabric with your hands and pull back into the correct shape and alignment.