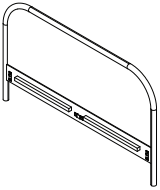
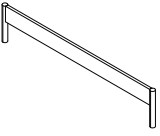
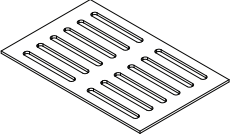
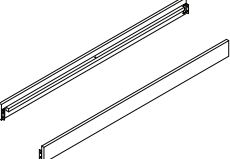
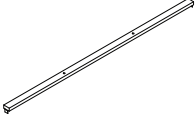

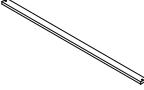



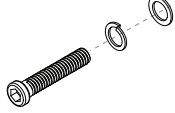
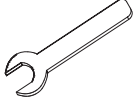


ARC BED

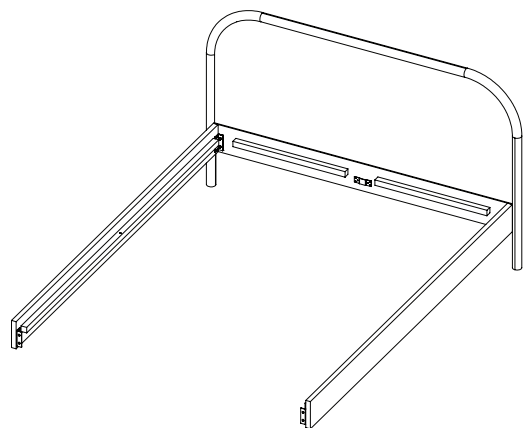
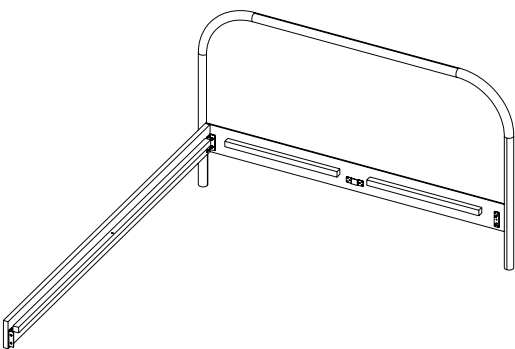
Assembly Instructions

CITTÀ

Headboard	Footboard	Slats x 2	Side rails x 2
			
Centre brace	Legs x 2	Cross brace	Allen Keys 1 x M6 1 x M8
			
M8 Nuts x 8	M8 screw x 2	M6 screw, washer & spring washer x 2	Wrench
			

Assemble the arc bed on a soft clean surface. You will need two people for assembly.

Locate first side rail onto headboard bolts, using supplied wrench loosely tighten spring washer and nut to each pre-fitted bolt. Repeat with second side rail.

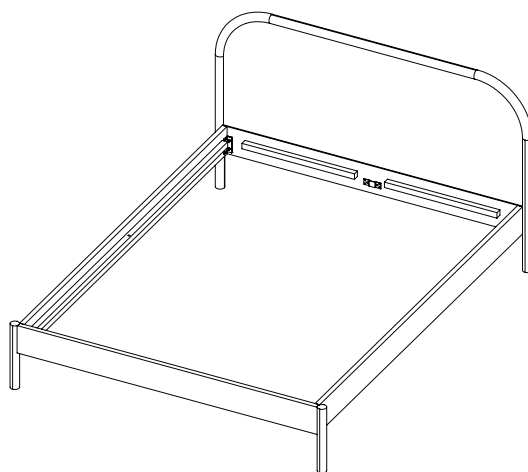


ARC BED

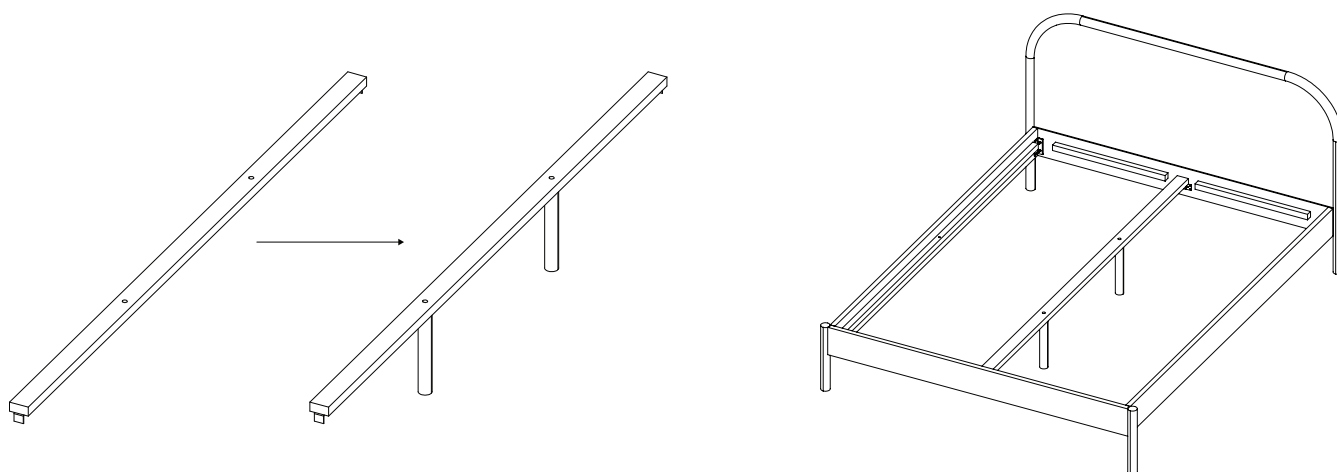
Assembly Instructions

CITTÀ

Locate footboard onto siderails, loosely tighten spring washer & nut to each pre-fitted bolt.



Attach legs to centre brace using M8 screws and allen key provided. Locate centre brace by slotting into the pre-fitted brackets on headboard and footboard. Adjust feet on legs if needed.



Secure cross brace using M6 screws, washer and spring washer with allen key provided. Tighten all nuts evenly to secure. Lower slats gently into place to complete assembly.

