
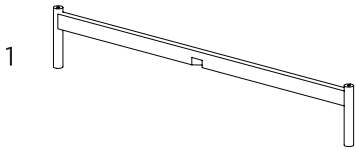
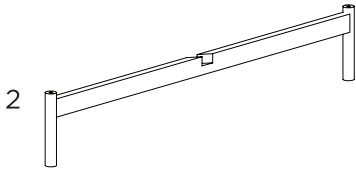
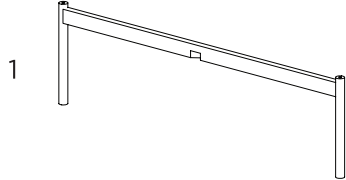
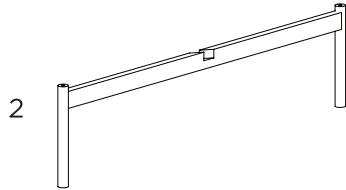


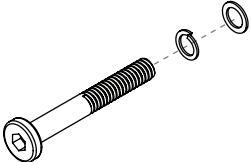



RADIAL LOW SHELVING

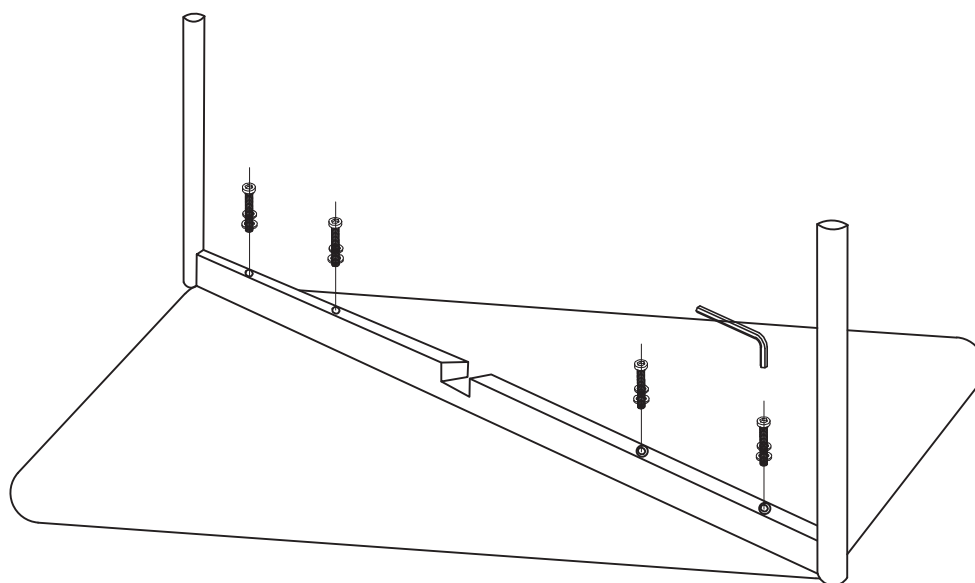
CITTÀ

Assembly Instructions

Shelf x 2	Legs x 2	Uprights x 2	
	 	 	
Allen Key x 1	Dowel x 4	M6 bolt, spring washer and washer x 8	Brass Caps x 4
			

Always assemble on a soft clean surface. Use allen key provided to tighten all bolts. Always use two people to flip shelving over to an upright position.

1. Bolt upright 1 to shelf using M6 bolt, spring washer and washer.

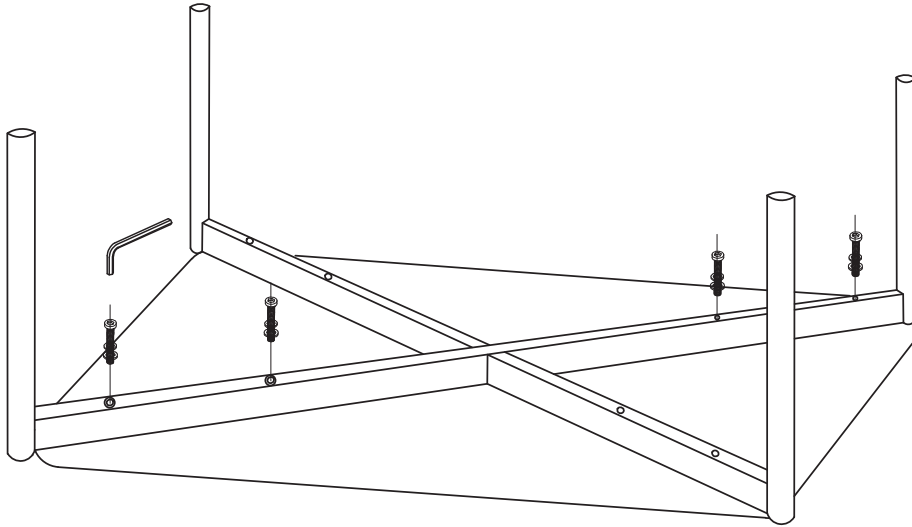


RADIAL LOW SHELVING

CITTÀ

Assembly Instructions

2. Slot upright 2 into place and bolt to shelf using M6 bolt, spring washer and washer.



3. Repeat for second shelf with legs 1 and 2.
4. Place dowel into bottom shelf legs, locate top shelf on dowels and press into place evenly. Insert brass caps into top shelf.

