

segment mirror

product information document



CITTÀ

segment mirror

Designed by David Moreland, the large Segment Mirror in black features a three-quarter frame, perfect for 'nesting' with another.

MATERIAL

Plywood/Oak Veneer

COLOUR



Natural Oak
MIT0002S
MIT0002L



Black
MIT0001S
MIT0001L

DIMENSIONS

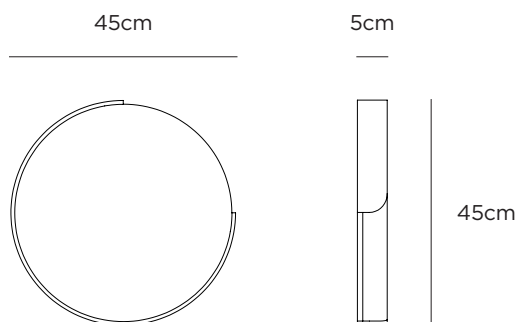
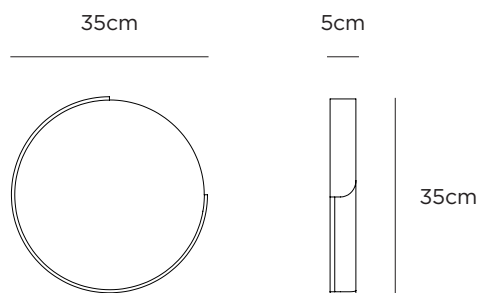
Packaged: 38x38x9cmh (small) | 48x48x9cmh (large)

Assembled: 35cmdia x 5cmh (small) | 45cmdiax5cmh (large)

WEIGHT

Packaged: 1.8kg (small) | 2.4kg (large)

Assembled: 1.1kg (small) | 1.4kg (large)



ASSEMBLY REQUIRED

Assembly not required

CARE INSTRUCTIONS

Wipe with damp cloth for cleaning. Do not use abrasive cleaning products or materials. Keep away from direct sunlight and sources of direct heat as these can cause cracking or warping. Keep dry and avoid excessive exposure to humidity as this can also cause cracking or warping. If using in a bathroom; ensure it is well ventilated.