

CITTÀ

Label Armchair

Product Information Document

Form meets function in the design of the Label armchair. The refined, wrap-around frame elegantly cradles the seat and envelops the sitter to provide generous, supportive comfort. The design considers residential and commercial spaces with the option of a low or high back. BIFMA-tested for durability and crafted with FSC-certified timber.

Designed in our New Zealand studio by David Moreland and Nikolai Sorensen.

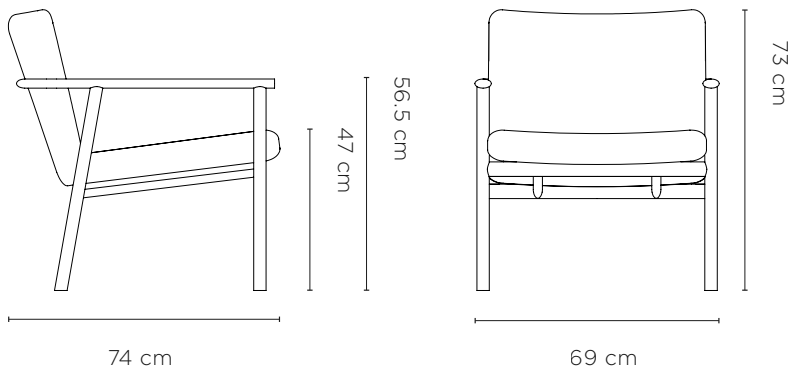


Label Armchair

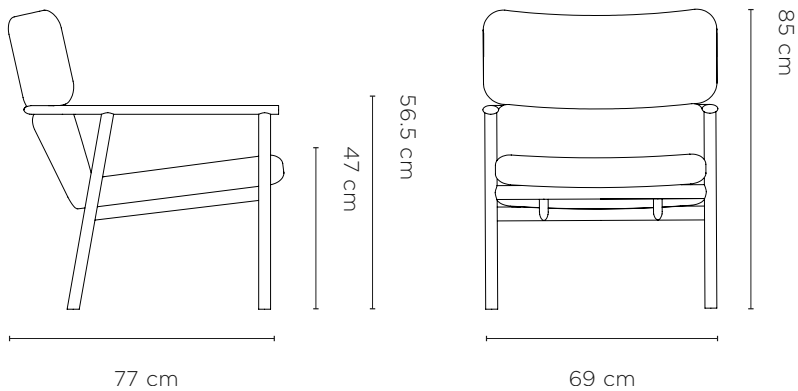
Material: Solid Oak, Foam, Dacron

Upholstery: Please refer to "Fabric Specifications PDF" for fabric options.

01. Label Armchair Low Back



02. Label Armchair High Back



Residential Warranty

Upholstery: 1 Year | Frame: 10 Years

Commercial Warranty

Upholstery: 1 Year | Frame: 5 Years

No Assembly Required.

Care Instructions

Avoid direct sunlight. Vacuum regularly using an upholstery attachment on low-suction. All fabric stretches as part of the general wear process. Attend to spills immediately by soaking them up with a clean, absorbent, lint-free sponge or cloth. Gently dab; do not rub vigorously. If cleaning products are required, consult a furniture cleaning specialist. We do not recommend using any fabric protector treatments, as this voids your fabric warranty. Please note, all fabric warranties are with the fabric supplier. Città sofas have a 5-year warranty that covers the frame and fill.