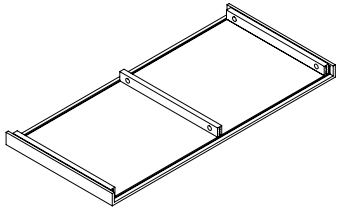
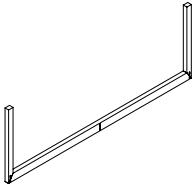
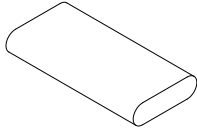
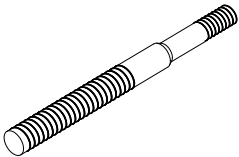
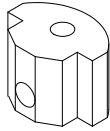
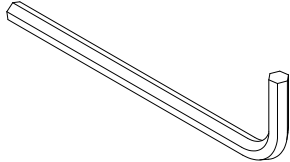
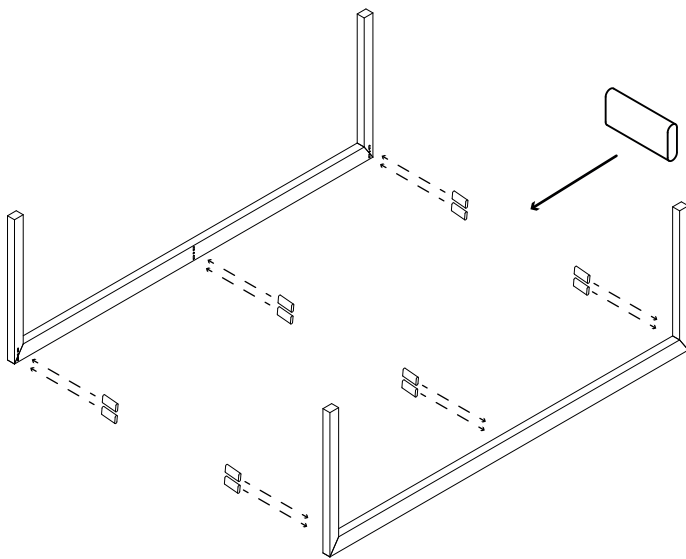


L Table

Assembly Instructions

CITTÀ

Top x 1	Leg x 2	Dowel x 12
		
Zipbolt Shaft x 6	Zipbolt Head x 6	Allen Key x 1
		

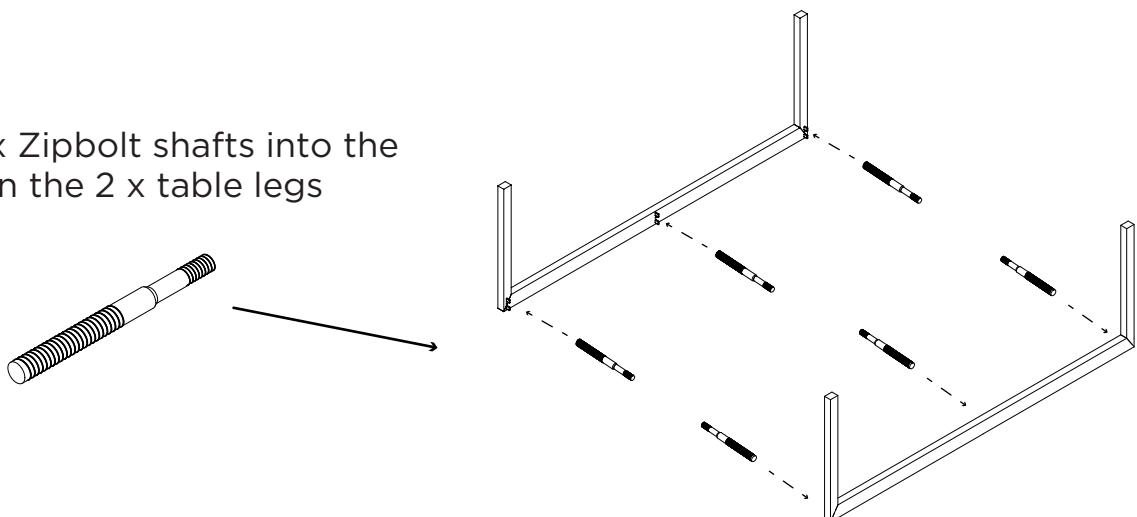


Step 1

Insert 12 x dowels into the 2 x table legs

Step 2

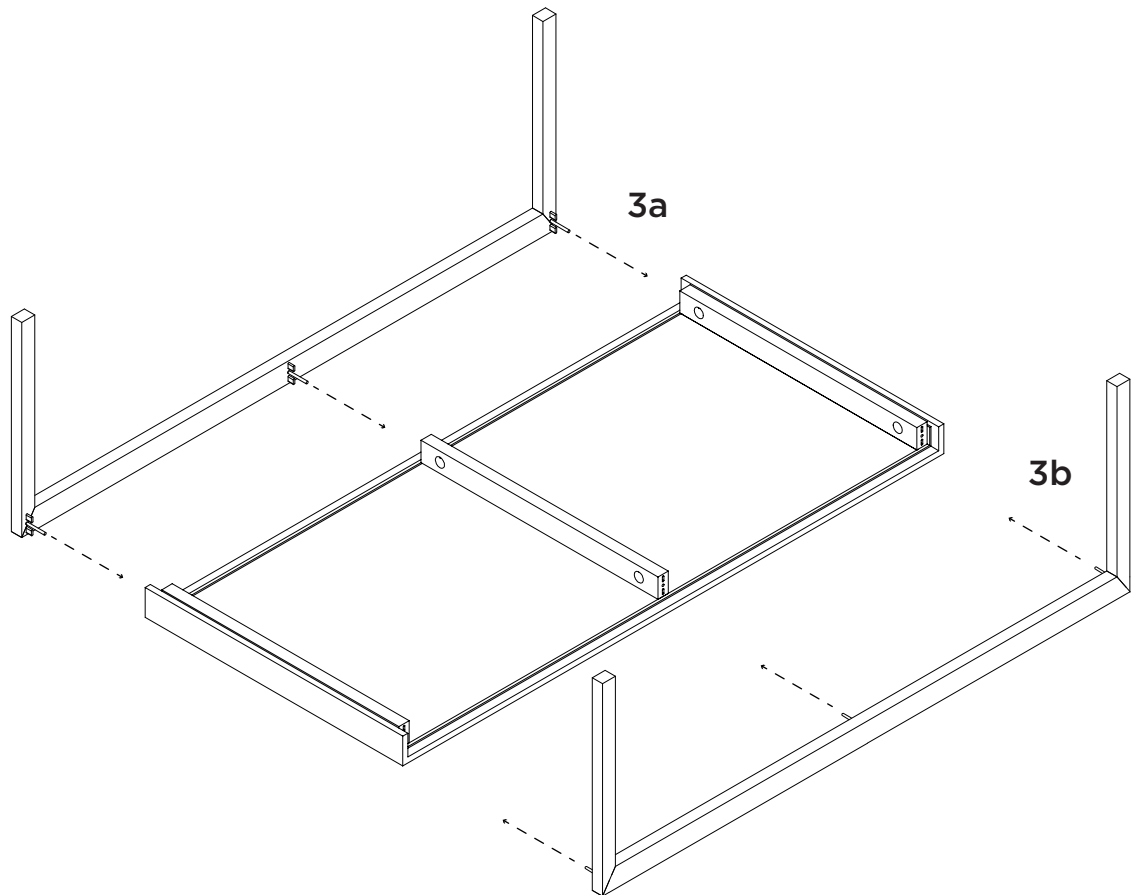
Screw 6 x Zipbolt shafts into the nutserts in the 2 x table legs



L Table

Assembly Instructions

CITTA



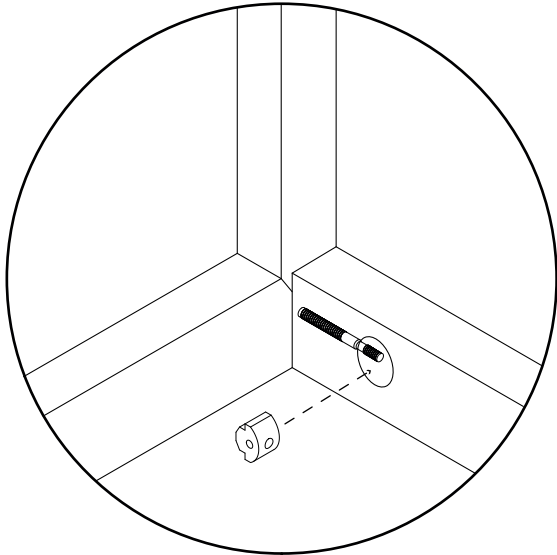
Step 3

With the table top sitting upside down on a soft surface, locate one leg at a time onto the frame using the dowels and connect together using 3 x Zipbolt heads per leg, as shown in steps 4a and 4b.

L Table

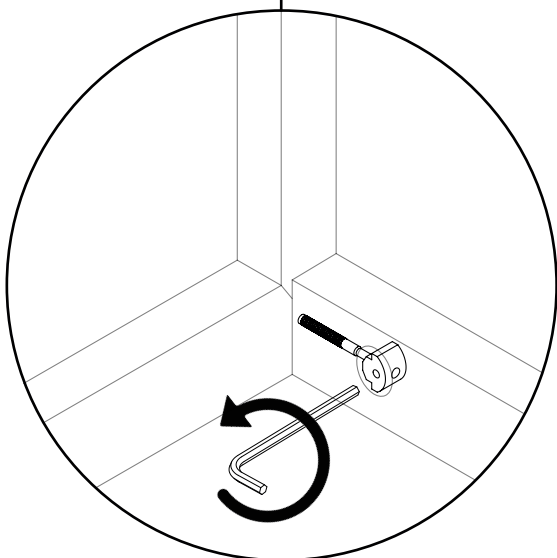
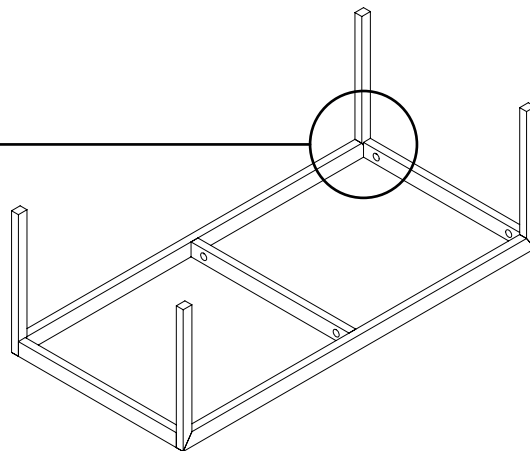
Assembly Instructions

CITTA



Step 4a

Insert the head of the Zipbolt into the hole in the table rail, locating it onto the Zipbolt shaft.



Step 4b

Using the Allen Key provided, tighten the Zipbolt fixing **anticlockwise** until secure.

Complete all 3 x Zipbolts on the first leg, then repeat to attach second leg.