

CITTÀ

Aspen Dining Chair

Product Information Document

The clean lines and balanced proportions of the Aspen chair make it a timeless, welcoming addition to your dining setting. Designed in our New Zealand studio by David Moreland.



Aspen Dining Chair

Material

Base: Solid Oak / Solid beech / Mild steel

Seat: Solid oak w/oak veneer / Solid beech w/beech veneer

Colour



Oak w/wooden legs
(Solid oak w/oak veneer)
TSF0026



Black w/wooden legs
(Solid beech w/beech veneer)
TSF0028



Oak w/metal legs
(Solid Oak w/oak veneer / Mild steel)
TSF0050BFSC



Black w/metal legs
(Solid beech w/beech veneer / Mild steel)
TSF0051BFSC

Dimensions Packaged: 68 x 45 x 93 cm (h) (Wooden legs) | 68 x 55 x 98 cm (h) (Metal legs)

Dimensions Assembled: 56 x 44 x 80 cm (h) (Wooden legs) | 52 x 48 x 75 cm (h) (Metal legs)

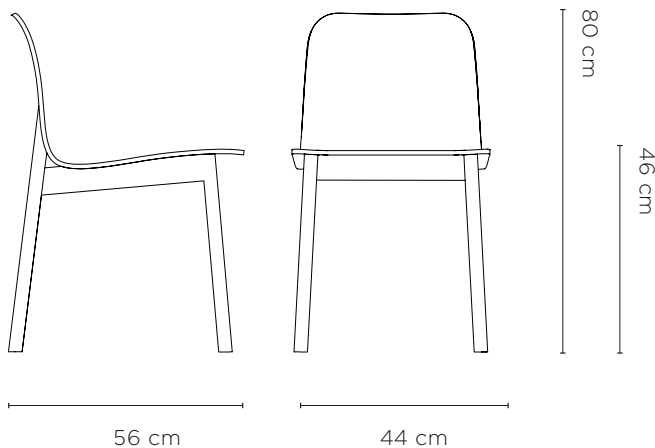
Weight Packaged: 12.1 kg (Wooden legs) | 15 kg (Metal legs)

Weight Assembled: 10 kg (Wooden legs) | 12 kg (Metal legs)

Care Instructions

Wipe clean using warm damp cloth. Avoid leaving water sitting on the surface as this can damage the product. Avoid the use of scouring pads, scouring cream or cleaning products containing alcohol as they may cause damage.

Wooden Leg



Metal Leg

