

CITTÀ

Pin Table Lamp

Step 1

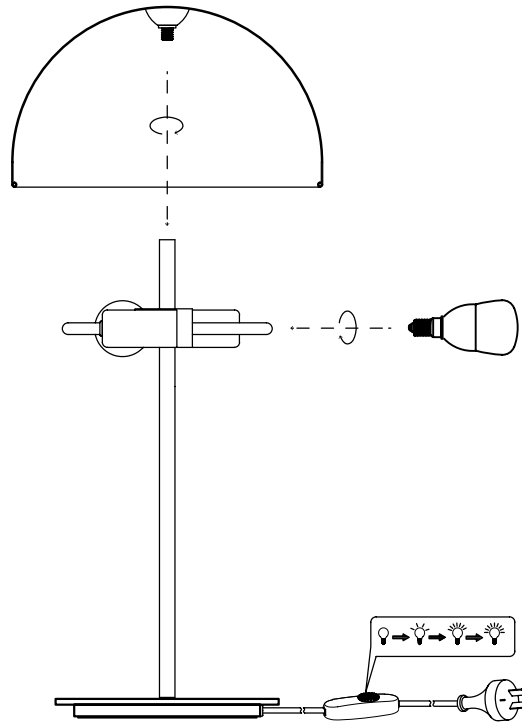
Screw bulbs into lamp holders.

Please note, the 2x E14 dimmable LED lightbulbs (max 25 watts) are not included.

Step 2

Position the lampshade onto threaded stem and screw together until secure.

Use the in line switch to turn the light on and off and control the dimmable bulb brightness.



Product Name	SKU	Recommended Bulb	Recommended CCT.	Input
Pin Table Lamp Black	OLF0029	2 x E14 base Max 25W LED bulb	2700K - 3000K	220-240V
Pin Table Lamp White	OLF0030	2 x E14 base Max 25W LED bulb	2700K - 3000K	220-240V
Pin Table Lamp Cobalt	OLF0031	2 x E14 base Max 25W LED bulb	2700K - 3000K	220-240V
Pin Table Lamp Spearmint	OLF0032	2 x E14 base Max 25W LED bulb	2700K - 3000K	220-240V
Pin Table Lamp Brick	OLF0033	2 x E14 base Max 25W LED bulb	2700K - 3000K	220-240V
Pin Table Lamp Bone	OLF0034	2 x E14 base Max 25W LED bulb	2700K - 3000K	220-240V
Pin Table Lamp Ochre	OLF0035	2 x E14 base Max 25W LED bulb	2700K - 3000K	220-240V



Made in China

IP20