

# Framed Armchair

## Product Information Document

The Framed Armchair makes a statement with its striking silhouette and customisable upholstery. The frame is made with solid American white oak and finished with a clear or black matte lacquer. The fixed seat and back cushions are upholstered in your choice of fabric.



# Framed Armchair

---

## Material

American Oak | American white oak veneer | Upholstery

---

## Colour



Oak

MAS0001AC

(Frame only)



Black

MAS0002AC

(Frame only)

---

Dimensions Packaged: 67 x 70 x 71 cmh

Dimensions Assembled: 65 x 65 x 70 cmh

Weight Packaged: 23 kg

Weight Assembled: 21 kg

---

## Fabric

Please refer to "Fabric Specifications PDF" for fabric options

Fabric Required: 1m

---

Residential Warranty: 5 years

Commercial Warranty: 5 years

---

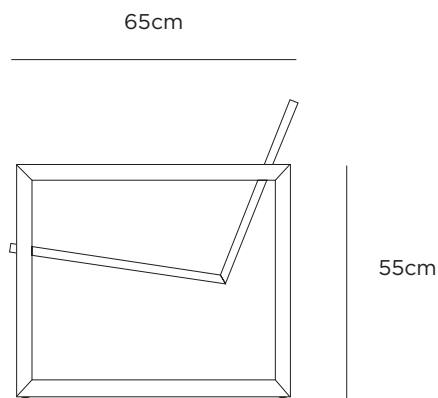
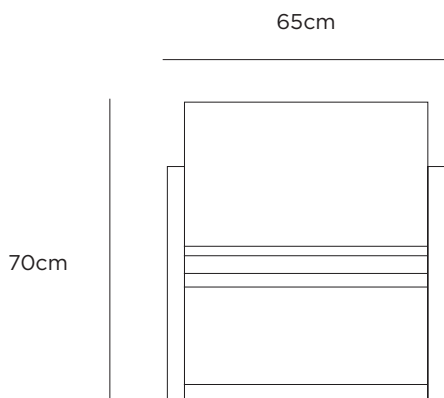
## Assembly Required

No

---

## Care Instructions

Avoid direct sunlight. Vacuum regularly using an upholstery attachment on low-suction. All fabric stretches as part of the general wear process. Attend to spills immediately by soaking them up with a clean, absorbent, lint-free sponge or cloth. Gently dab; do not rub vigorously. If cleaning products are required, consult a furniture cleaning specialist. We do not recommend using any fabric protector treatments, as this voids your fabric warranty. Please note, all fabric warranties are with the fabric supplier. Città sofas have a 5-year warranty that covers the frame and fill.



# Framed Coffee Table

## Product Information Document

The Framed Coffee Table makes a statement with its striking silhouette. The unique design features a negative detail that separates the top from the base. The contemporary, minimal aesthetic allows the table to seamlessly integrate into both residential or commercial spaces. Made with solid American white oak and finished with a clear or black matte lacquer.



# Framed Coffee Table

---

## Material

American Oak | American white oak veneer

---

## Colour



Oak

MAS0001CT



Black

MAS0002CT

---

Dimensions Packaged: 122 x 62 x 40 cmh

Dimensions Assembled: 120 x 60 x 36.5 cmh

Weight Packaged: 20 kg

Weight Assembled: 17 kg

---

Residential Warranty: 3 years

Commercial Warranty: 3 years

---

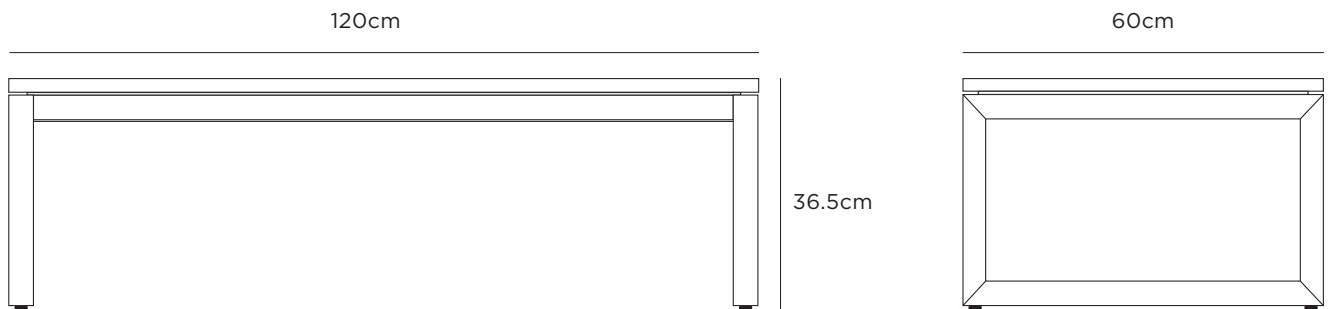
## Assembly Required

No

---

## Care Instructions

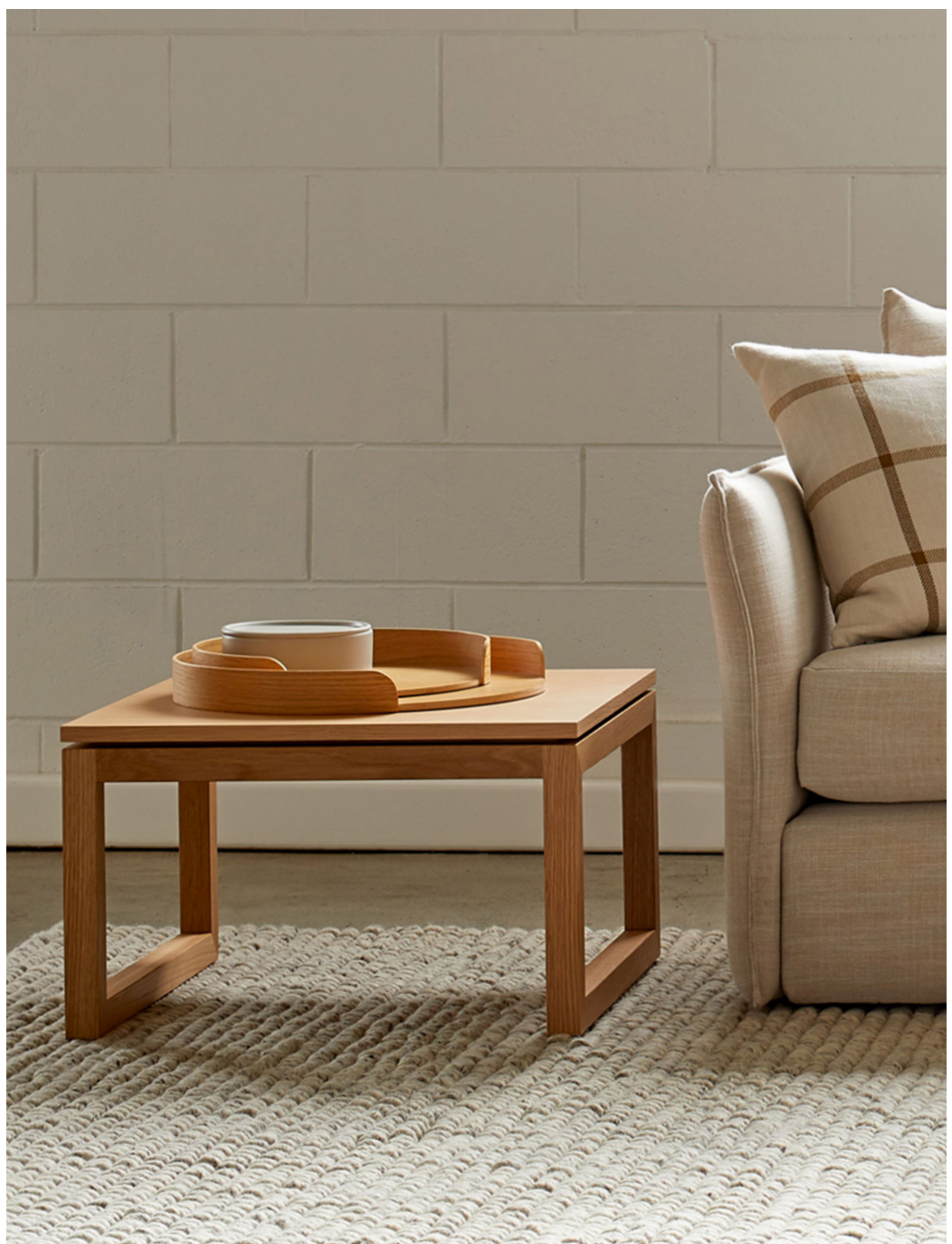
Wipe clean using warm damp cloth. Avoid leaving water sitting on the surface as this can damage the product. Avoid the use of scouring pads, scouring cream or cleaning products containing alcohol as they may cause damage.



# Framed Side Table

## Product Information Document

The Framed Side Table makes a statement with its striking silhouette. The unique design features a negative detail that separates the top from the base. The contemporary, minimal aesthetic allows the table to seamlessly integrate into both residential or commercial spaces. Made with solid American white oak and finished with a clear or black matte lacquer. Designed by New Zealand furniture and lighting studio David Moreland Design. Made in Tauranga, New Zealand.



# Framed Side Table

---

## Material

American Oak | American white oak veneer

---

## Colour



Oak

MAS0001ST



Black

MAS0002ST

---

Dimensions Packaged: 62 x 62 x 40 cmh

Dimensions Assembled: 60 x 60 x 36.5 cmh

Weight Packaged: 13 kg

Weight Assembled: 10 kg

---

Residential Warranty: 3 years

Commercial Warranty: 3 years

---

## Assembly Required

No

---

## Care Instructions

Wipe clean using warm damp cloth. Avoid leaving water sitting on the surface as this can damage the product. Avoid the use of scouring pads, scouring cream or cleaning products containing alcohol as they may cause damage.

