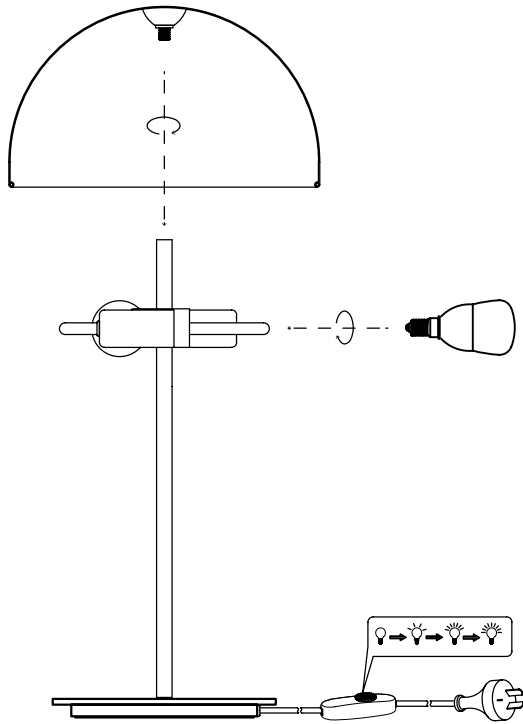


# CITTÀ

## Pin Table Lamp

---



### Step 1

---

Screw bulbs into lamp holders.

*Please note, the 2x E14 dimmable LED lightbulbs (max 25 watts) are not included.*

### Step 2

---

Position the lampshade onto threaded stem and screw together until secure.

Use the in line switch to turn the light on and off and control the dimmable bulb brightness.

# CITTÀ

## Pin Table Lamp

---

Product Name	SKU	Recommended Bulb	Recommended CCT.	Input
Pin Table Lamp Black	OLF0029	2 x E14 base Max 25W LED bulb	2700K - 3000K	220-240V
Pin Table Lamp White	OLF0030	2 x E14 base Max 25W LED bulb	2700K - 3000K	220-240V
Pin Table Lamp Cobalt	OLF0031	2 x E14 base Max 25W LED bulb	2700K - 3000K	220-240V
Pin Table Lamp Spearmint	OLF0032	2 x E14 base Max 25W LED bulb	2700K - 3000K	220-240V
Pin Table Lamp Brick	OLF0033	2 x E14 base Max 25W LED bulb	2700K - 3000K	220-240V
Pin Table Lamp Bone	OLF0034	2 x E14 base Max 25W LED bulb	2700K - 3000K	220-240V
Pin Table Lamp Ochre	OLF0035	2 x E14 base Max 25W LED bulb	2700K - 3000K	220-240V



Made in China

IP20

Read the following instructions before handling the product:

---

1. Installation of this product must be carried out by a qualified electrician only.
2. Switch off the power of the mains supply and the connection lead before handling the products installation, maintenance or cleaning.
3. Only to be operated with the supplied driver.
4. Only for indoor use in dry conditions and not in dirt endangered rooms or in areas with high air humidity.
5. The product must not be exposed to strong mechanical loads.
6. Do not cover the product, free air circulation must be provided.
7. The product must not be modified or converted. Only use parts which are supplied with the product or are described as accessories.
8. Only operate the product if it is working correctly.
9. If the product has a malfunction, switch it off immediately and operate it again only after examination by an electrical specialist in case of the following: Visible damage, the product does not work, smoke, steam or crackling sounds, overheating is observed.
10. Repairs or work on mains voltage may only be carried out by qualified electricians.
11. If the above instructions are not followed, short circuits and/ or electric shocks may occur.