

Framed Coffee Table

Product Information Document

The Framed Coffee Table makes a statement with its striking silhouette. The unique design features a negative detail that separates the top from the base. The contemporary, minimal aesthetic allows the table to seamlessly integrate into both residential or commercial spaces. Made with solid American white oak and finished with a clear or black matte lacquer.



Framed Coffee Table

Material

American Oak | American white oak veneer

Colour



Oak

MAS0001CT



Black

MAS0002CT

Dimensions Packaged: 122 x 62 x 40 cmh

Dimensions Assembled: 120 x 60 x 36.5 cmh

Weight Packaged: 20 kg

Weight Assembled: 17 kg

Residential Warranty: 3 years

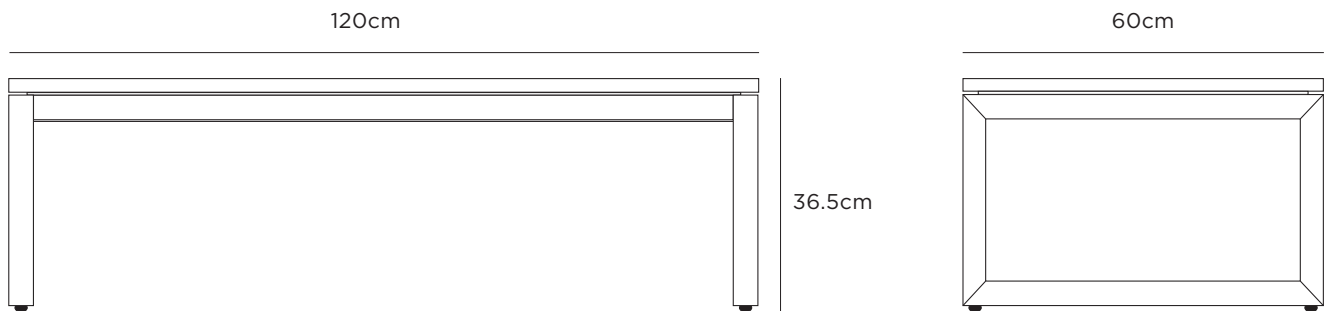
Commercial Warranty: 3 years

Assembly Required

No

Care Instructions

Dampen cloth in a solution of water and a neutral detergent and wipe clean. Remove soap residue immediately using a clean dry cloth. Do not use scouring pads or scouring cream as they may scratch the surface. Do not use cleaning products containing alcohol as they may damage the surface. Remove any small marks by spot cleaning with a clean damp cloth or paper towel.



Framed Side Table

Product Information Document

The Framed Side Table makes a statement with its striking silhouette. The unique design features a negative detail that separates the top from the base. The contemporary, minimal aesthetic allows the table to seamlessly integrate into both residential or commercial spaces. Made with solid American white oak and finished with a clear or black matte lacquer. Designed by New Zealand furniture and lightingstudio David Moreland Design. Made in Tauranga, New Zealand.



Framed Side Table

Material

American Oak | American white oak veneer

Colour



Oak

MAS0001ST



Black

MAS0002ST

Dimensions Packaged: 62 x 62 x 40 cmh

Dimensions Assembled: 60 x 60 x 36.5 cmh

Weight Packaged: 13 kg

Weight Assembled: 10 kg

Residential Warranty: 3 years

Commercial Warranty: 3 years

Assembly Required

No

Care Instructions

Dampen cloth in a solution of water and a neutral detergent and wipe clean. Remove soap residue immediately using a clean dry cloth. Do not use scouring pads or scouring cream as they may scratch the surface. Do not use cleaning products containing alcohol as they may damage the surface. Remove any small marks by spot cleaning with a clean damp cloth or paper towel.

