
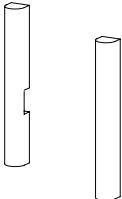
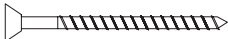
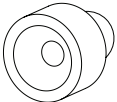
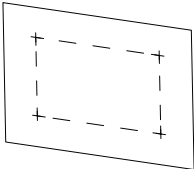
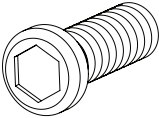
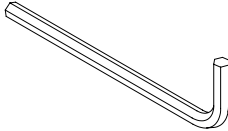


CITTÀ

Exhibit Shelf Single

Tools Required Drill
 Level

Parts Included

1 x Shelf	2 x Upright	4 x Wall Screw	4 x Key-hole Plug
			
1 x Template	2 x Hex Bolt	1 x Allen Key	
			

The Exhibit shelf is designed for small display items not heavy products like books, the maximum load bearing weight is 3kg per shelf.

We always recommend fixing the uprights of this shelf into studs, nogs or masonry.

We recommend using a qualified builder or cabinetmaker for installation.

*Note *If you are fixing into dry wall (GIB), we recommend you purchase quality fixing anchors from your local hardware store.*

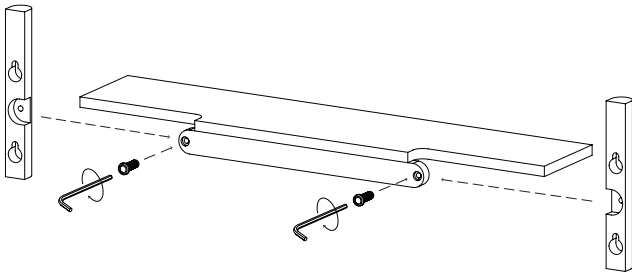
Installation & Assembly Instructions

Step 1

Lay out all parts.

Assemble shelf and uprights. Fix together using hex bolts and allen key.

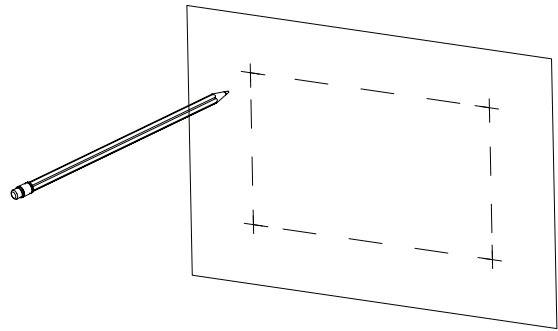
Ensure uprights are the correct way up.



Step 2

Using the template provided, align the shelf in the desired position and mark the four drill points through the paper onto the wall using the tip of a sharp pencil or screw.

To ensure your shelf sits straight, use a level across the two top drill points before you drill the holes.

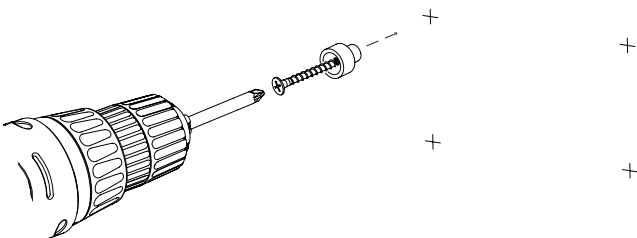


Step 3

Use the wall screws to drill in the four key-hole plugs at each marked position. Ensure the wall plug is drilled square and straight.

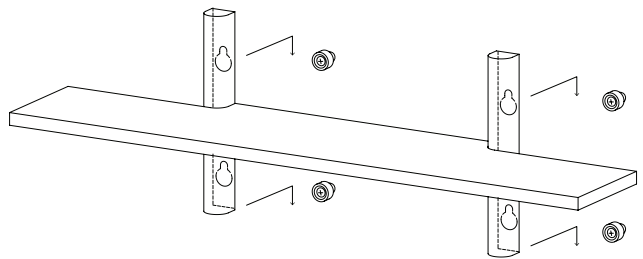
Do not over tighten the wall plug onto the wall as this will prevent the shelf from being able to slot down and locate into the keyhole.

This is very important to be aware of when installing into a stud or nog because you will compress the dry wall (GIB).



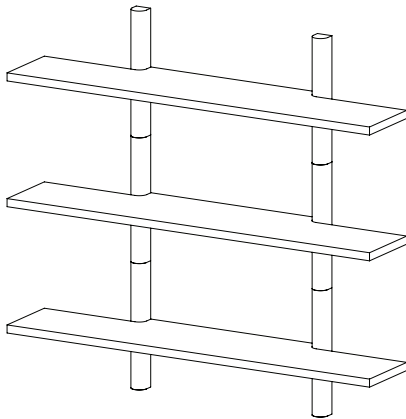
Step 4

With all key-hole plugs fixed in place, mount the shelf to the wall by pushing it onto the plugs then gently down to lock the shelf in place.



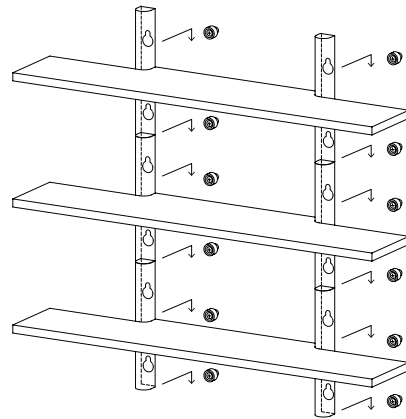
Modularity

The Exhibit shelf is designed to be modular. By positioning multiple shelves above or below each other, larger shelf configurations with equal spacing can be created.



Installation

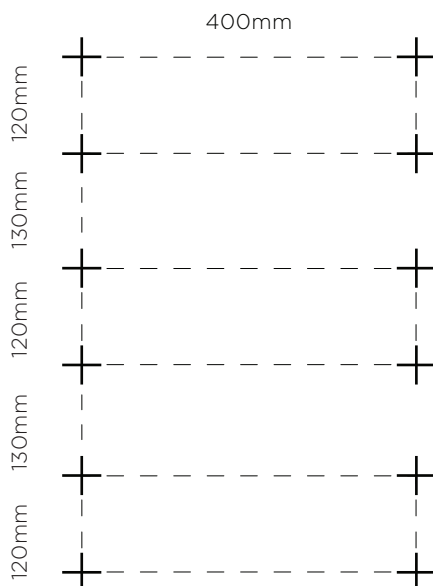
When installing shelves in a modular configuration, install the lowest shelf first.



Drilling Patterns

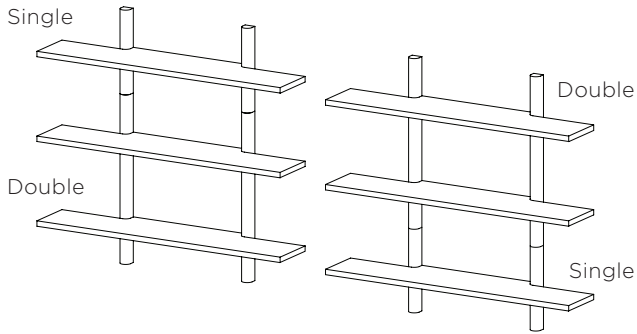
Using the provided template, drilling patterns for larger configurations can easily be created.

The drill points for larger shelf configurations follow a set spacing pattern.



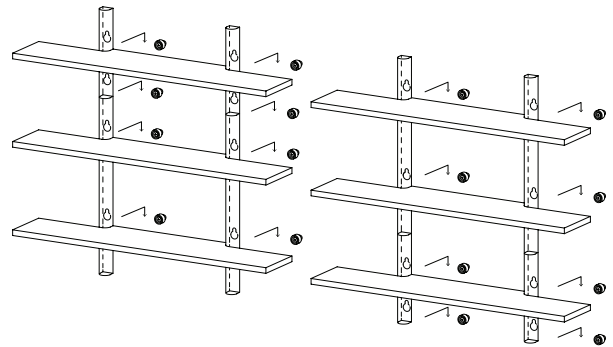
Modularity

The Exhibit shelf double is designed to function in combination with the Exhibit shelf single. Combinations of the double and single shelf can be used to create custom shelving systems.



Installation

When installing shelves in a modular configuration, please install the lowest shelf first.



Drilling Pattern

Using the provided templates, drilling patterns for double and single configurations can easily be created.

Carefully follow the spacing measurements for both the single and double shelf when installing your custom shelf configuration.

