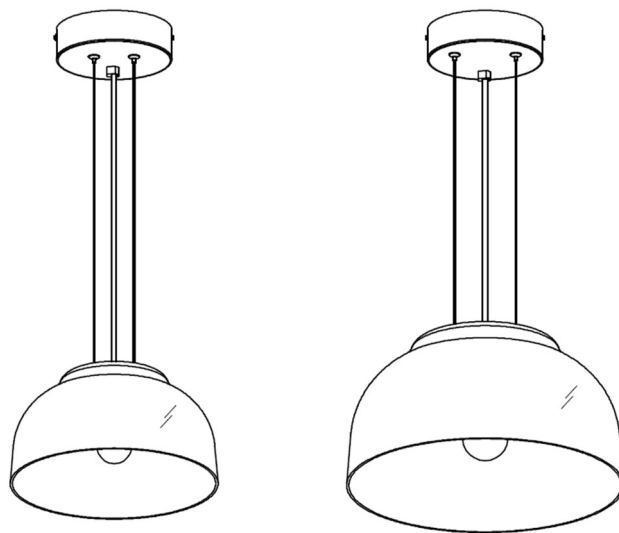


CITTÀ

Port Pendant

PRODUCT MANUAL





TECHNICAL DATA


Product Name	Model No.	Input	Power	Base	Color		Size
					Shade	Cable	
Port Pendant	EBL0027PSB	220-240VAC	Max. 40W	E14	Gloss White	Black	Small
Port Pendant	EBL0027PSW	220-240VAC	Max. 40W	E14	Gloss White	White	Small
Port Pendant	EBL0027PLB	220-240VAC	Max. 60W	E27	Gloss White	Black	Large
Port Pendant	EBL0027PLW	220-240VAC	Max. 60W	E27	Gloss White	White	Large

TA:25°C

IP20





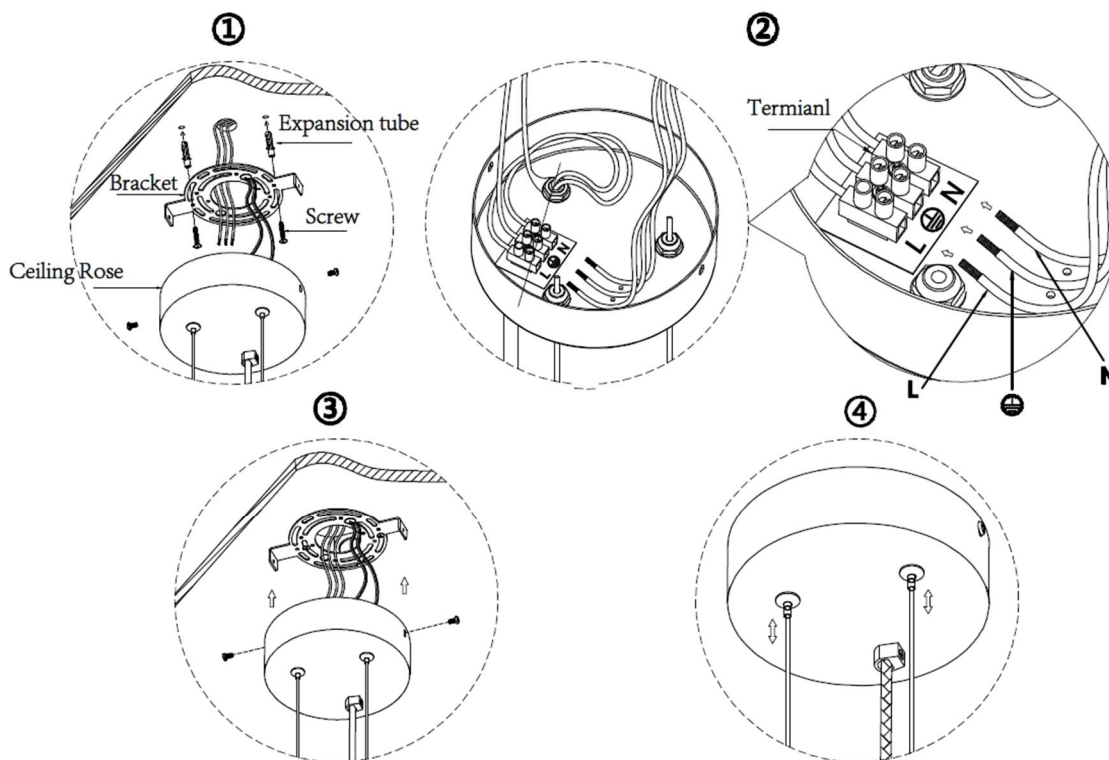


ATTENTION:

Read the following instructions before handling the product:

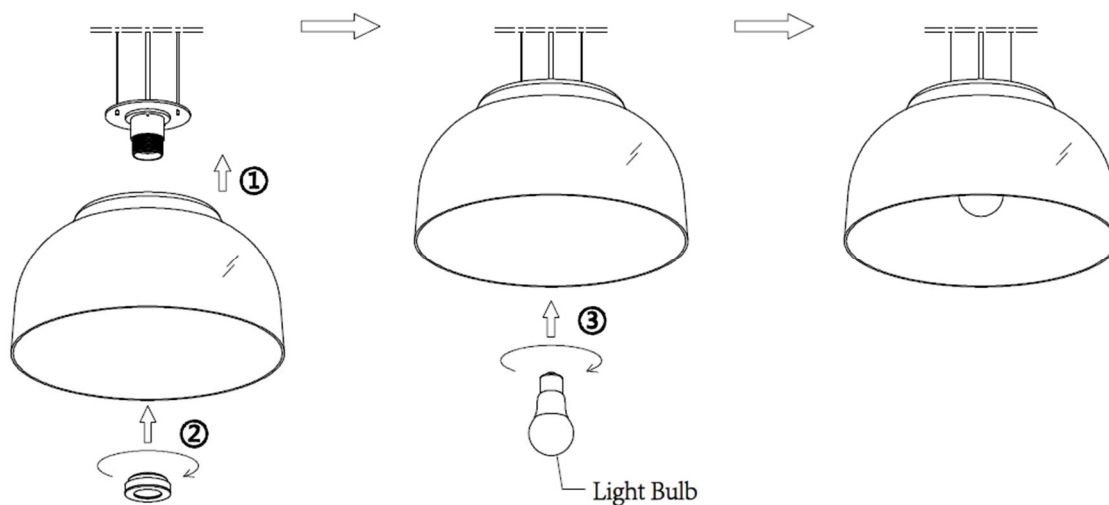
1. Installation of this product must be carried out by a qualified electrician only!
2. Switch off the power of the mains supply and respectively of the connection lead before handling the product at installation, maintenance and cleaning etc...!
3. Only for indoor use in dry conditions and not in dirt endangered rooms or in areas with high air humidity!
4. The product must not be exposed to strong mechanical loads!
5. Do not cover the product, as free air circulation must be provided!
6. The product must not be modified or converted and use only parts which are supplied with the product or are described as accessories!
7. Operate the product only if it is working correctly.
8. Switch off the product with a malfunction immediately and operate it again only after examination by an electrical specialist in case of the following: Visible damages appear; The product does not work; Smoke, steam or crackling sounds appear; Overheating is observed.
9. Repairs or work on mains voltage may only be carried out by qualified electricians. In case the above instructions are not followed, short circuits and let all electric shock may occur.
10. If the external flexible cable or cord of this luminaire is damaged, it shall be exclusively replaced by the manufacturer or his service agent or similar qualified person in order to avoid a hazard.

INSTALLATION – Ceiling Rose



- ① Remove the bracket from ceiling rose and install it on the ceiling using the two screws and wall anchors.
- ② Connect the power cord to the correct position on the terminal. The positive and negative poles as well as the ground wire need to be connected to the designated positions following the markings.
- ③ Install the ceiling rose onto the bracket using the two screws.
- ④ Press the wire stabilizers to adjust the length of the steel wires to the appropriate height making sure both wires and the cable hang straight and tight and the pendant sits level.

INSTALLATION – Lampshade



- ① Remove the threaded ring and position the lampshade onto the lampholder, ensuring the base of the lampholder is sitting through the hole of the lampshade.
- ② Tighten the threaded ring onto the lamp holder to fix the lampshade onto the lampholder.
- ③ Make sure to install a correct light bulb. E27 max 60 watts for the large pendant and E14 max 40 watts for the small pendant. Please note, the colour rating of the light bulb will change the colour of the pendant. LED bulb recommended.