

CITTÀ

Trace Stool

Product Information Document

Building on the Trace dining chair (first released in 2021), the stool reinterprets its signature curved backrest. Its name references the subtle curves of the steel legs, which seamlessly trace the edge of the ply back. Clean welds highlight expert craftsmanship, while the slim legs create a light presence.

Designed in collaboration with Scott Fitzsimons, the Trace stool offers versatility with three wood finishes: oak, black, and walnut. For added comfort, an upholstered black leather seat is also available. BIFMA-tested for durability.



Trace Stool

Colour



Oak

TSF0222FSC

Oak Veneer
/Mild Steel



Black

TSF0225FSC

Oak Veneer
/Mild Steel



Walnut

TSF0228FSC

Walnut Veneer
/Mild Steel



Oak/leather

TSF0224TLFSC

Oak Veneer
/Mild Steel
/Leather



Black/leather

TSF0227TLFSC

Oak Veneer
/Mild Steel
/Leather



Walnut/leather

TSF0230TLFSC

Walnut Veneer
/Mild Steel
/Leather

Dimensions Packaged: 55 x 48 x 91.5 cmh

Dimensions Assembled: 49.3 x 43.9 x 87.6 cmh

Weight Packaged: 10 kg

Weight Assembled: 6.45 kg

Care Instructions

Clean with a soft damp cloth and water. Wipe immediately with a dry cloth. Avoid leaving water sitting on the wood as this can cause small spots or permanent marks. Do not use chemical cleaners on any surfaces.

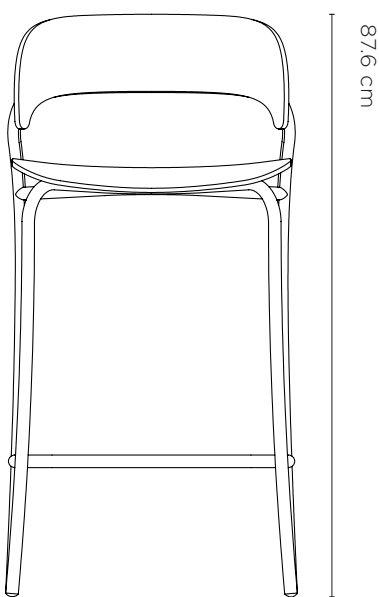
Residential Warranty: 3 years

Commercial Warranty: 3 years

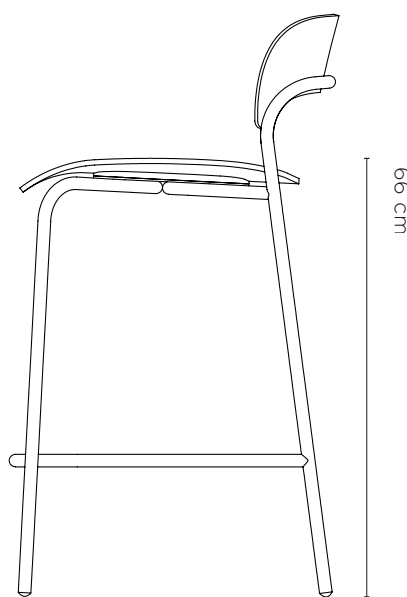
Certifications

ANSI/BIFMA X5.1-2017(R2022) compliant

No Assembly Required



49.3 cm



43.9 cm