

CITTÀ

Compound Buffet

All elements in the Compound buffet work harmoniously to provide a multi-functional storage solution that combines drawers, shelves and cupboards.

Narrow shut-lines and push-to-open mechanisms give the buffet a minimal, elegant aesthetic. The legs are made with solid dark oak. The body, doors and drawers are made with a combination of veneer and solid-edged board. Hettich drawer-runners allow you to access items with ease. Designed in our New Zealand studio by David Moreland and Nikolai Sorensen.



Compound Buffet

Material

Solid oak, oak veneer

Residential Warranty: 3 years

Commercial Warranty: 3 years

Colour



Oak

MIT0054BFH



Dark Oak

MIT0098BFH

Care Instructions

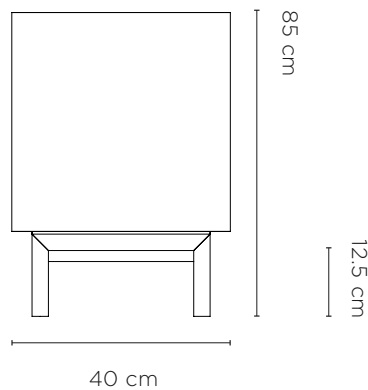
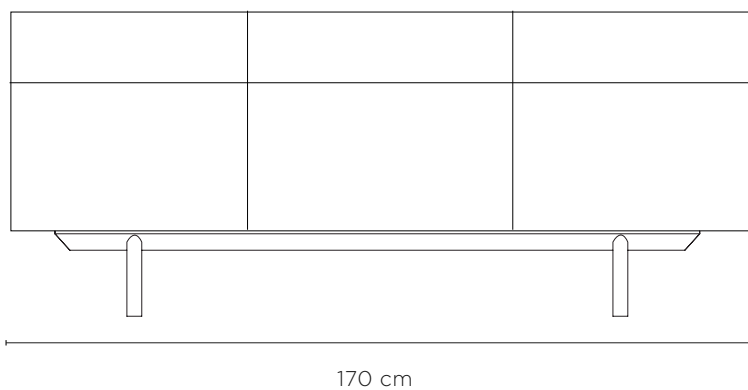
Wipe clean using a warm damp cloth. Avoid leaving water sitting on the surface as this can damage the product. Avoid the use of scouring pads; scouring cream or cleaning products containing alcohol as they may cause damage. Avoid placing furniture next to a source of direct heat or in direct sunlight, these conditions can cause excessive dryness and potentially create cracks to components as well as irreversible changes to the colour of the timber.

Dimensions Packaged: 175 x 45 x 90 cmh

Dimensions: 170 x 40 x 85 cm

Weight Packaged: 96 kg

Weight: 86 kg



⚠ WARNING	
<p>Children have died from furniture tipover. ALWAYS secure this furniture with an anchor device. NEVER allow children to stand, climb or hang on drawers, doors, or shelves.</p>	