

assembly desk

product information document



CITTÀ

assembly desk

Create a modern home office with the Assembly Desk. The design features a precise and clean aesthetic with a slim plywood tabletop contrasted with black steel legs. The statement U-shaped legs connect to the floor with a discreet base plate and a tonal black rubber foot. Designed in our New Zealand studio by David Moreland and Nikolai Sorensen.

MATERIAL

Mild Steel / Oak Ply

WEIGHT

Packaged	24kg
Assembled	19.5kg

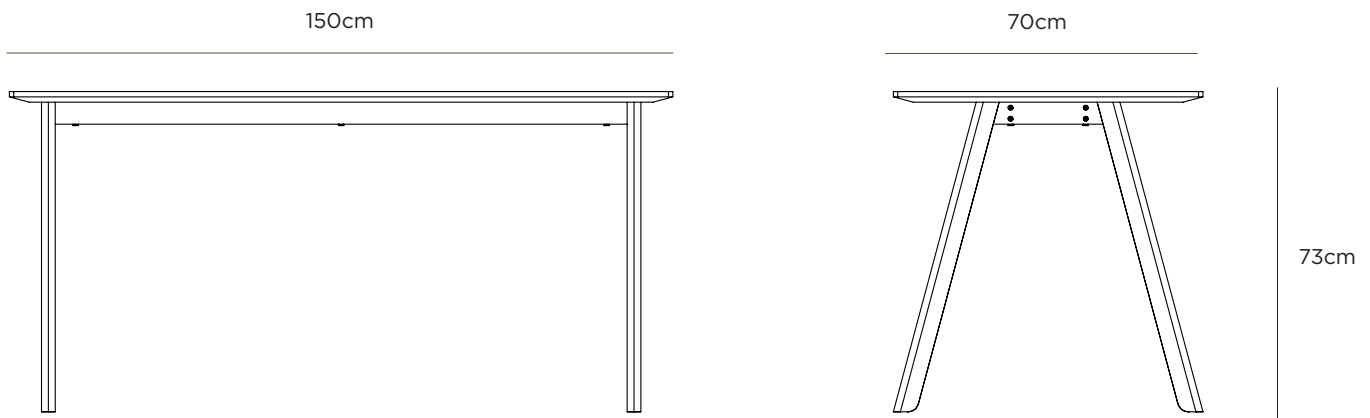
COLOUR



Oak Ply
TSF0122

DIMENSIONS

Packaged	153x73x9.5cmh
Assembled	150x70x73cmh



ASSEMBLY REQUIRED

Assembly Required.

CARE INSTRUCTIONS

Dampen cloth in a solution of water and a neutral detergent and wipe clean. Remove soap residue immediately using a clean dry cloth. Do not use scouring pads or scouring cream as they may scratch the surface. Do not use cleaning products containing alcohol as they may damage the surface.