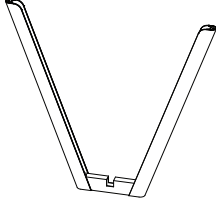
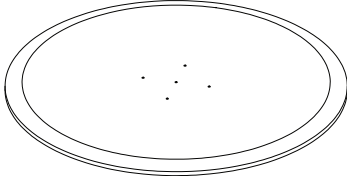
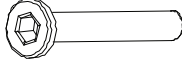
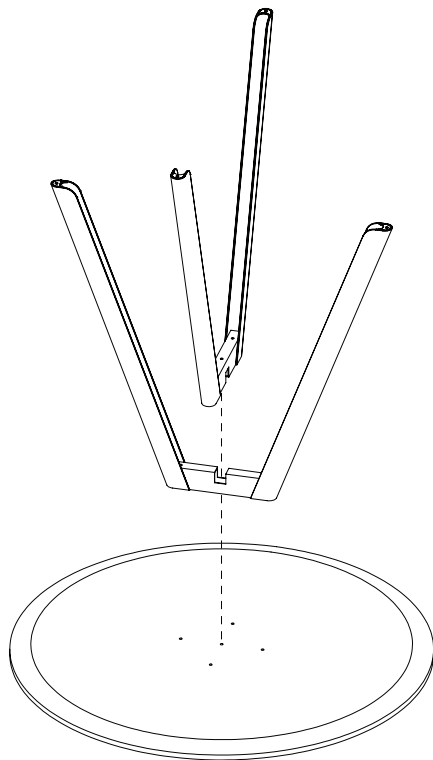


ASSEMBLY ROUND TABLE

CITTÀ

Assembly Instructions

| Legs x 2 | Table Top x 1 | Bolts x 5 |
|---|---|---|
|  |  |  |



1.

Place tabletop upside down on a clean soft surface. Interlock the two legs and locate them onto the tabletop.

2.

Using the hex key provided; tighten each bolt through the leg rail into the tabletop threaded inserts. Once the legs are secured, use two people to flip the table into the upright position.

