

assembly table

product information document

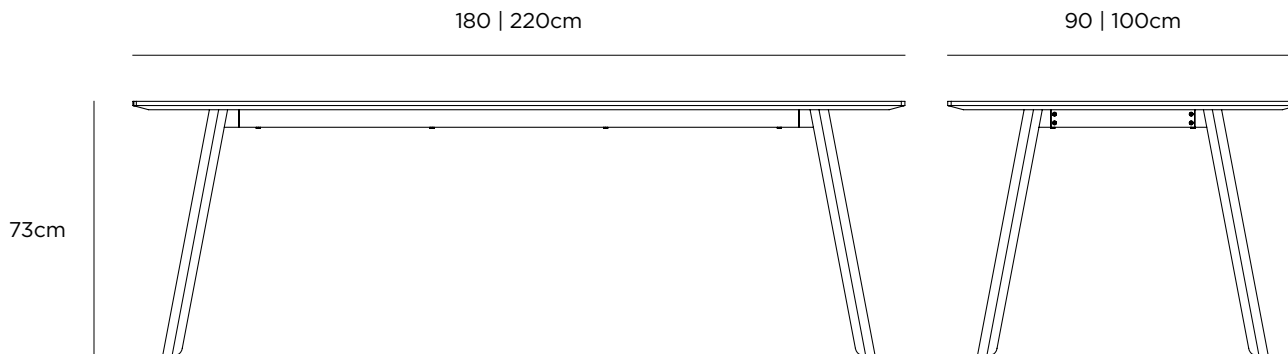


CITTÀ

assembly table

Create a modern dining setting with the Assembly Table. The design features a precise and clean aesthetic with a slim plywood tabletop contrasted with black steel legs. The statement U-shaped legs connect to the floor with a discreet base plate and a tonal black rubber foot.

Designed in our New Zealand studio by David Moreland and Nikolai Sorensen.



CODE

Oak/Black

TSF0114 (small)

TSF0116 (large)

Black

TSF0115 (small)

TSF0117 (large)

COLOUR



Oak/Black



Black

MATERIAL

Oak/Black

Mild Steel / Oak Ply

Black

Laminate / Mild Steel

WEIGHT

Packaged (2 boxes) 35kg /12kg (small) | 42kg/12kg (large)

Assembled 41kg (small) | 47.5kg (large)

DIMENSIONS

Packaged (2 boxes) 183x103x9.5cm / 85x74x14.5cmh (small)
223x103x9.5cmh / 85x74x14.5cmh (large)

Assembled 180x90x73cmh (small)
220x100x73cmh (large)

ASSEMBLY REQUIRED

Assembly required.

CARE INSTRUCTIONS

Dampen cloth in a solution of water and a neutral detergent and wipe clean. Remove soap residue immediately using a clean dry cloth. Do not use scouring pads or scouring cream as they may scratch the surface. Do not use cleaning products containing alcohol as they may damage the surface.