

S2 Stool

The S2 Stool is a welcome addition to any setting. The seat and frame nest together with only a thin edge profile visible. The extensive S2 Stool range comes in three heights in your choice of a black or white frame. The seats are also available with or without American oak plywood seats.

The range of finish options allows the versatile stool to work in any space.

Designed by New Zealand furniture and lighting studio David Moreland Design



MATERIAL

Mild Steel | Mild Steel/Oak Ply

COLOUR

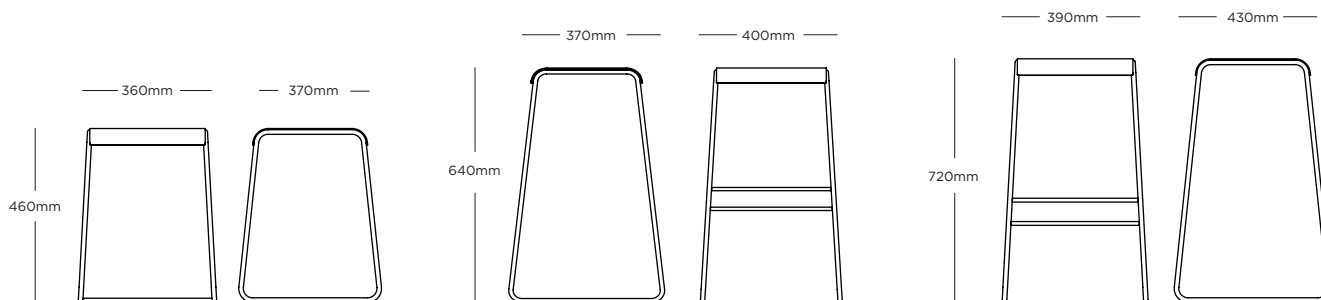
Black | White | Black/Natural Oak | White/Natural Oak

TSF0104S | TSF0104M | TSF0104L | TSF0105S | TSF0105M | TSF0105L | TSF0106S | TSF0106M | TSF0106L | TSF0107S | TSF0107M | TSF0107L

**DIMENSIONS**

Packaged 39x38x47cmh | 43x39.5x66cmh | 44.5x40.5x74.5cmh

Assembled 36x37x46cmh | 37x40x64cmh | 39x43x72cmh



ASSEMBLY

Assembly not required

WEIGHT

Packaged 6.90kg | 7.40kg | 8.90kg

Assembled 4.90kg | 5.40kg | 6.90kg

CARE/CLEANING INSTRUCTIONS

Dampen cloth in a solution of water and a neutral detergent and wipe clean. Remove soap residue immediately using a clean dry cloth. Do not use scouring pads or scouring cream as they may scratch the surface.

Do not use cleaning products containing alcohol as they may damage the surface.