

assembly round table

product information document



CITTÀ

assembly round table

Create a modern dining setting with the Assembly Dining Table. The design features a precise and clean aesthetic with a slim plywood tabletop contrasted with black steel legs. The statement U-shaped legs connect to the floor with a discreet base plate and a tonal black rubber foot. The Assembly table range offers something for every space with two rectangle options, two round options, and Citta's first-ever desk. Designed in our New Zealand studio by David Moreland and Nikolai Sorensen.

MATERIAL

Mild Steel / Oak Ply

CODE

TSF0118 (small)

TSF0120 (large)

COLOUR



Oak Ply

WEIGHT

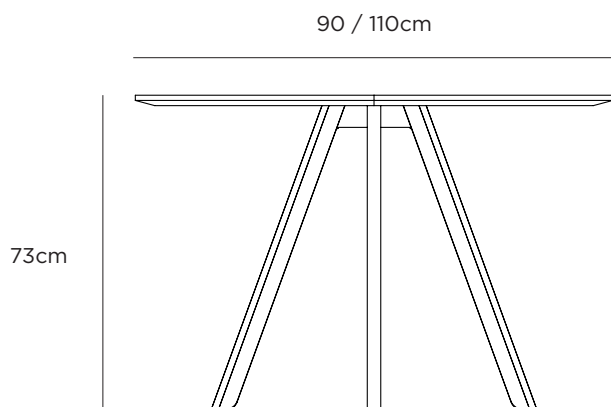
Packaged 22kg (small) | 28kg (large)

Assembled 17kg (small) | 23kg (large)

DIMENSIONS

Packaged 93x93x7.5cmh (small) | 113x113x7.5cmh (large)

Assembled 90cmdiax73cmh (small) | 110cmdiax73cmh (large)



ASSEMBLY REQUIRED

Assembly Required.

CARE INSTRUCTIONS

Dampen cloth in a solution of water and a neutral detergent and wipe clean. Remove soap residue immediately using a clean dry cloth. Do not use scouring pads or scouring cream as they may scratch the surface. Do not use cleaning products containing alcohol as they may damage the surface.