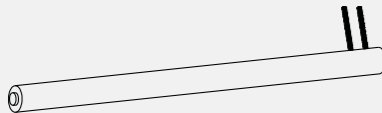
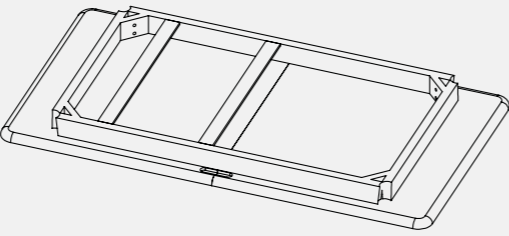
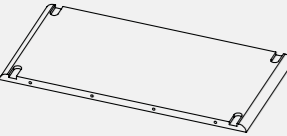

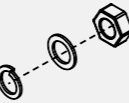


# CITTÀ

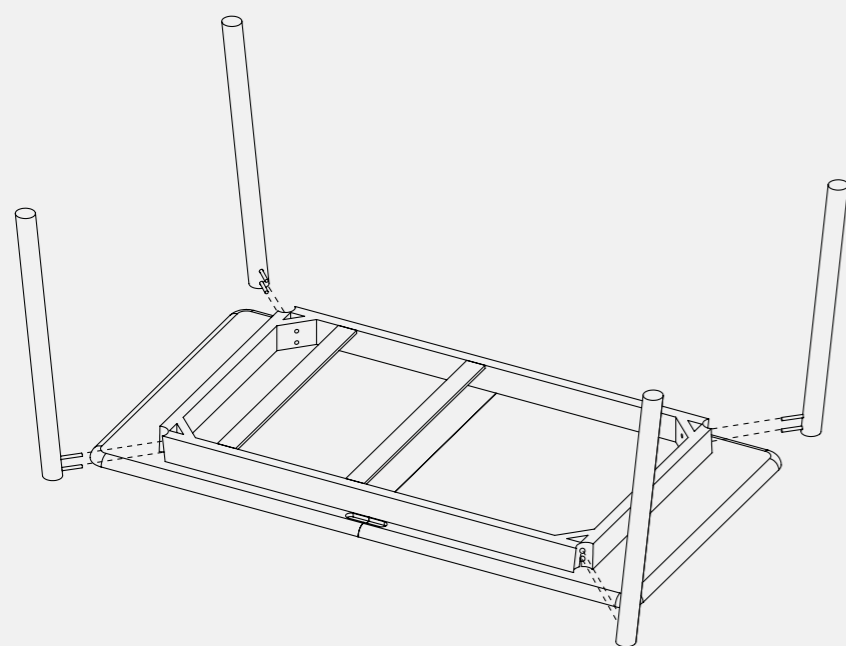
## Radial Extendable Table

### Installation & Assembly Instructions

Legs x 4	Table Top x 1	
		
Table Top Middle x 1	Spanner x 1	Washer, Spring washer & Nut x 8
		

Assemble table on a soft clean surface. Use spanner provided to tighten all nuts. Always use two people to flip the table over to an upright position. Match each numbered leg to the corresponding numbered corner.

Put legs into place. Thread a washer and spring washer onto each bolt. Loosely tighten nuts onto each bolt before tightening each nut evenly.



### Installation & Assembly Instructions

#### Note

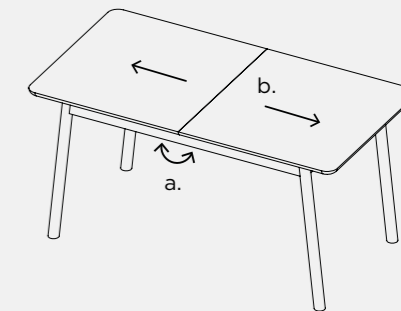
There are two rails situated on the underside of the table. The extension leaf is designed to be stored on two rails situated on the underside of the tabletop.

It is recommended to use care when installing and removing the leaf as the edge of the tabletop can be damaged during this process.

The tabletop will change colour overtime due to sun exposure. Therefore, there may be some colour difference when the leaf is installed. To avoid this, store the leaf in an exposed environment.

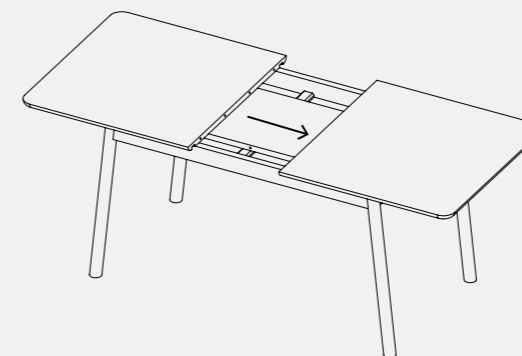
#### Step 1

- Undo the latches located on the underside of the table.
- Slide the tabletops apart to expose the extension leaf.



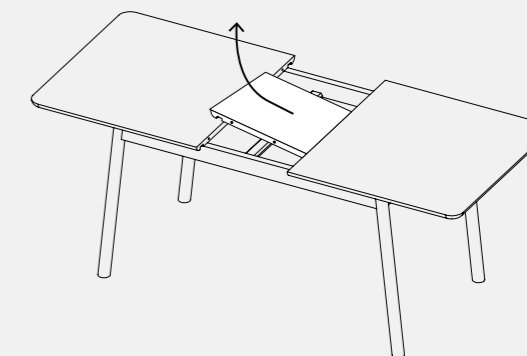
#### Step 2

Gently slide the extension leaf to one side until the end of the leaf is exposed.



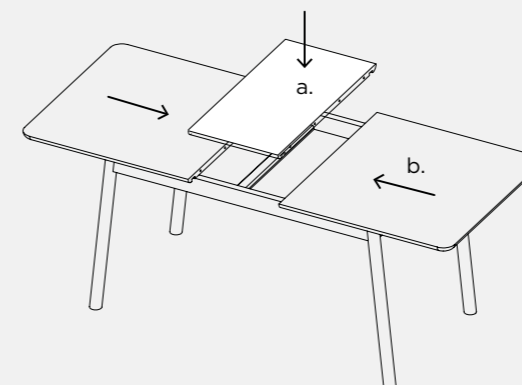
#### Step 3

Carefully remove the leaf from the underside of the tabletop.



#### Step 4

Gently slide the extension leaf to one side until the end of the leaf is exposed.



#### Step 5

Carefully remove the leaf from the underside of the tabletop.

