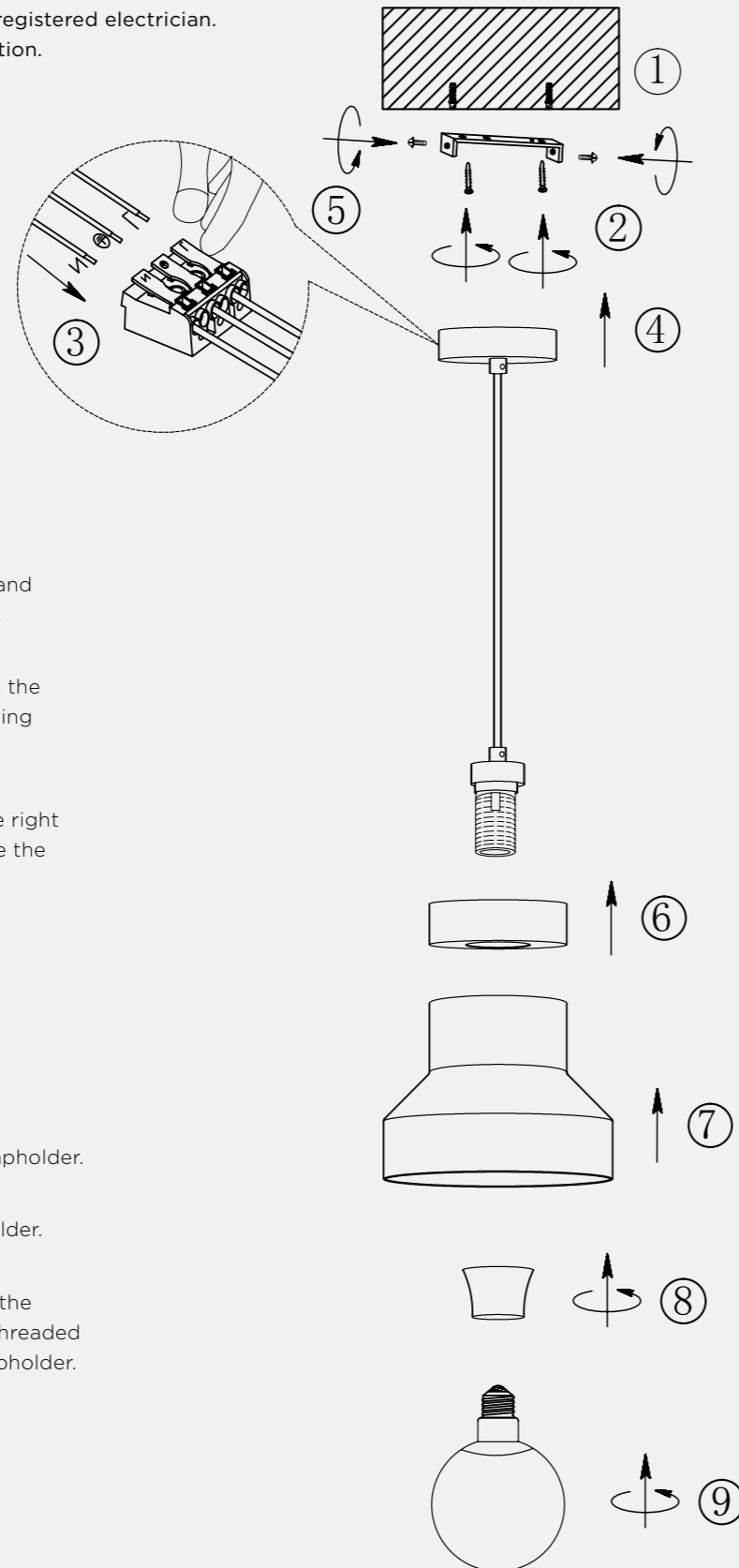


CITTÀ

Pendant 45

This product should only be installed by a registered electrician.
Please read product manual before installation.



Steps

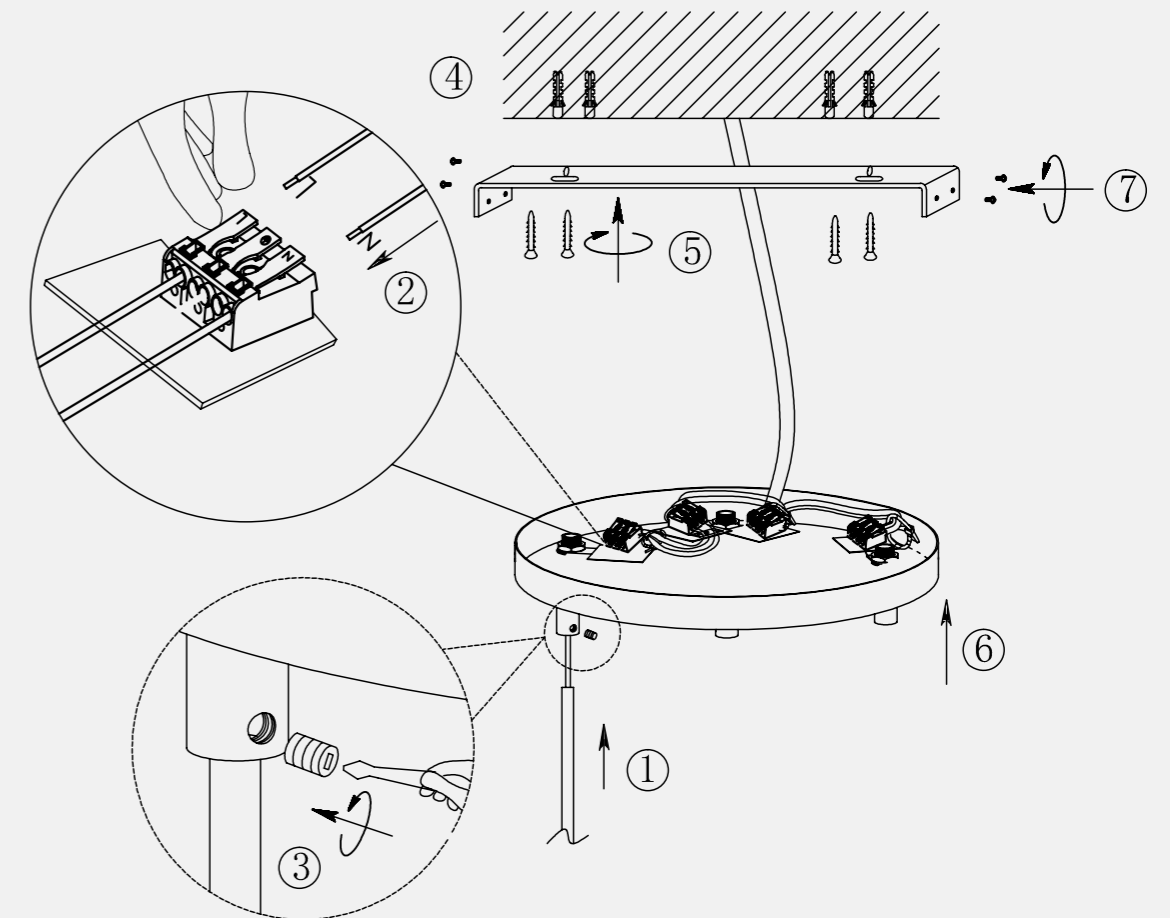
1. Locate the position for the ceiling rose and insert the plastic wall plugs if necessary.
2. Disassemble the mounting bracket from the ceiling rose, fix the bracket onto the ceiling with two screws.
3. Connect the input power cables into the right position of the connector which is inside the ceiling rose.
4. Locate the ceiling rose over the fixed mounting bracket.
5. Install the ceiling rose onto the fixed mounting bracket using the two screws.
6. Locate the top spun shade onto the lampholder.
7. Locate the main shade onto the lampholder.
8. Fix the top shade and main shade onto the lampholder by screwing on the plastic threaded component onto the bottom of the lampholder.
9. Screw in the Philips LED dolly bulb, which is supplied with the pendant.

CITTÀ

Pendant 45 Ceiling Rose

This product should only be installed by a registered electrician. Please read product manual before installation.

If the external flexible cable or cord of this luminaire is damaged, it shall be exclusively replaced by the manufacturer or his service agent or a similar qualified person in order to avoid a hazard.



1. Loosen the grub screw on the side of the cord grip.
2. Connect the input power cables into the right position of the connector which is inside the ceiling rose.
3. Adjust each cable to the desired length and tighten the grub screw on the side of the cord grip. Repeat steps 1-3 for all three pendants.
4. Locate the position for the ceiling rose and insert the plastic wall plugs if necessary.
5. Disassemble the mounting bracket from the ceiling rose, fix the bracket onto the ceiling with the screws.
6. Locate the ceiling rose over the fixed mounting bracket.
7. Install the ceiling rose onto the fixed mounting bracket using the two screws.

Please note: This ceiling rose is a spare part, so the three small ceiling roses that come with the Pendant 45 aren't required to complete this light fitting. Please keep them on hand so if you ever decide to turn the Pendant 45's back into individual light fixtures you can re use them.