

Pendant 45 Rose

Create a modern chandelier with the Pendant 45 Rose. The ceiling rose is designed to accommodate three Pendant 45 (sold separately) and enables them to hang in a tight waterfall formation.

The ceiling rose is made with mild steel and has a powder-coat finish.

Cord grips are made with colour-matched plastic

Designed by New Zealand furniture and lighting studio David Moreland Design



cittadesign.com/collection/dmd

Ask us about our payment partners | cittadesign.com/payment-partners
citta@cittadesign.com

CITTÀ

MATERIAL

Mild Steel

COLOUR

Black | White

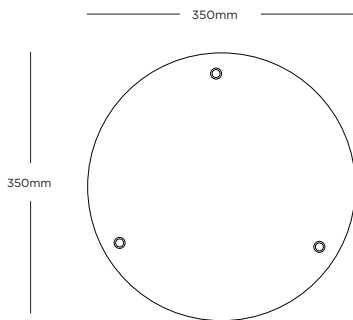
OLF0021 | OLF0022



DIMENSIONS

Packaged 360x375x65mm

Assembled 35cmdiax3.5cmh



ASSEMBLY

Assembly not required

WEIGHT

Packaged 1.6

Assembled .2

CARE/CLEANING INSTRUCTIONS

To be fitted by a qualified electrician. Dampen cloth in a solution of water and a neutral detergent and wipe clean. Remove soap residue immediately using a clean dry cloth. Do not use scouring pads or scouring cream as they may scratch the surface.

Do not use cleaning products containing alcohol as they may damage the surface.

This ceiling rose has been electrically tested to go with the Pendant 45 and is not certified for any other pendant light. If used with any other pendant light, Citta's warranty will be immediately voided.

cittadesign.com/collection/dmd

Ask us about our payment partners | cittadesign.com/payment-partners
citta@cittadesign.com

CITTÀ