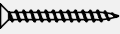
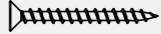


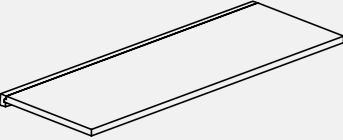




CITTÀ

Installation & Assembly Instructions

Craft Cabinet Modular & Extension

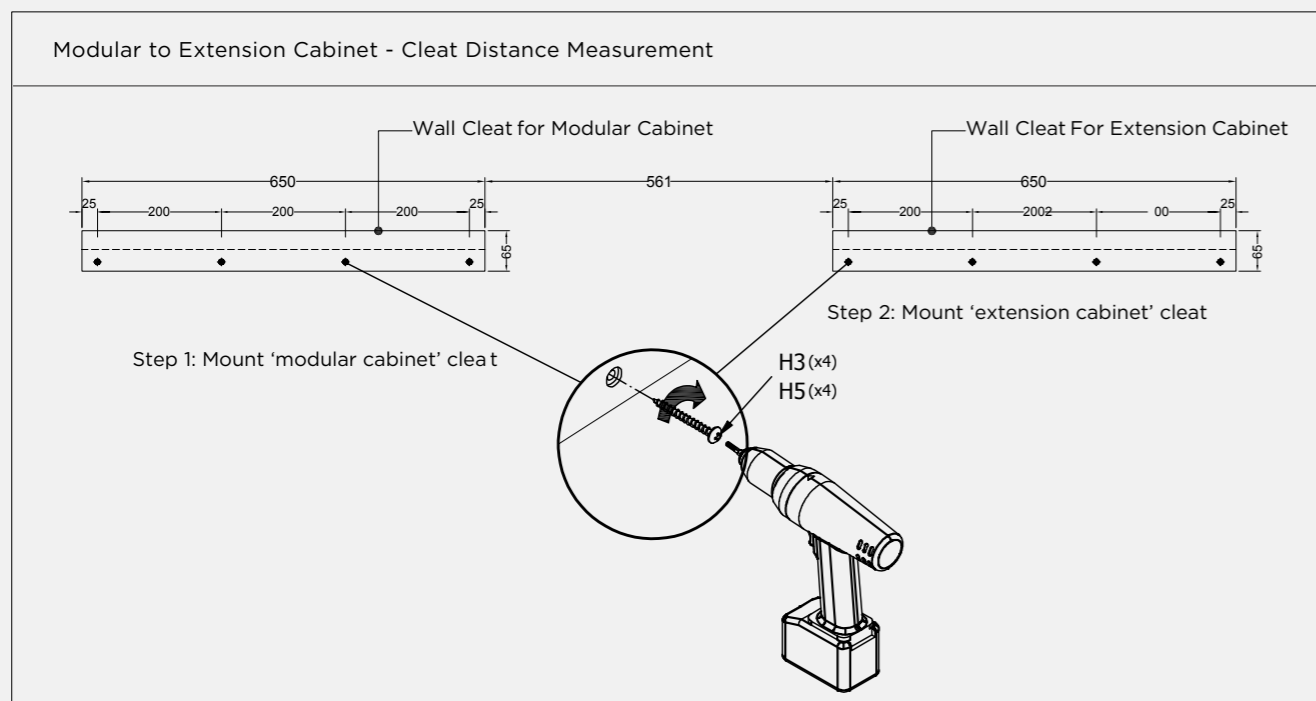
Flat Head Screw (4x40) x 6	Flat Head Screw (4x50) x 4	Wood Cleat x 2	Flat Washer x 6
			
Shelf x 4		Pin x 16	Wall Plug x 4
			

Tools Required Drill

Step 1

Screw the 'modular cabinet' cleat onto the wall using 4 x H3 screws, then repeat this process for the 'extension cabinet' cleat using the specified distances below.

Please note: If you are sitting the cabinet on the ground, plasterboard plugs will be sufficient to hold the cabinet cleat onto the wall. However, if you are floating the cabinet off the ground you will need each cleat to have at least 2 x fixing points into either a stud or a nogg.

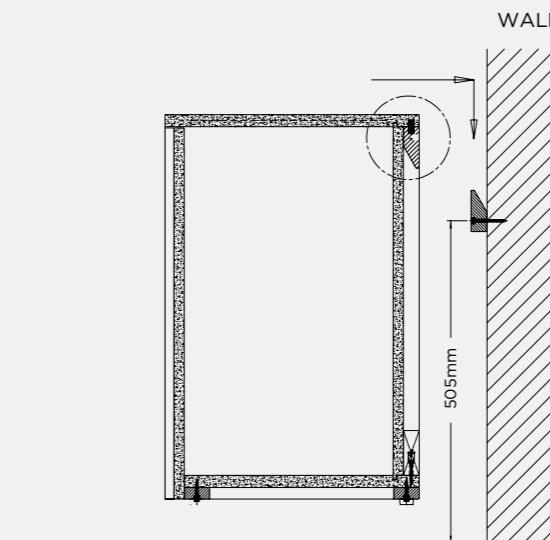


Installation & Assembly Instructions

Step 2 (On Floor)

Please use the below cleat height when installing the cabinets and extensions to sit onto the ground.

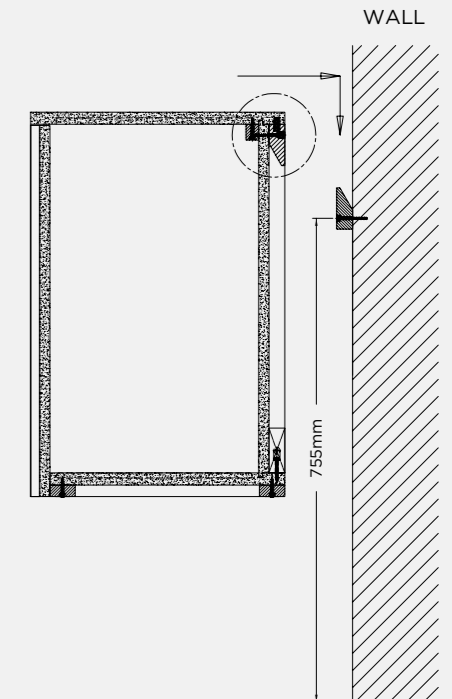
- 1: Attach cleat to wall using H3 and H5.
- 2: Lift and mount cabinet onto the cleat.
- 3: Wind down the feet until they touch the floor.



Step 2 (On Floor)

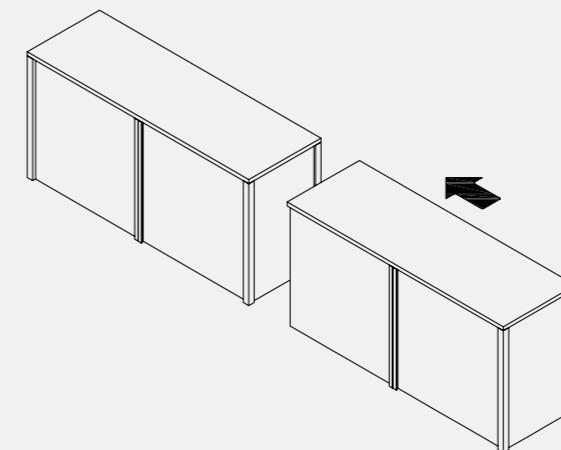
Add 505mm to whatever height you want the bottom of the cabinet to sit off the ground by. eg. The below cleat height of 755mm will raise the cabinets off the ground by 250mm.

- 1: Attach cleat to wall - Must be a stud or nogg!
- 2: Lift and mount cabinet onto the cleat.
- 3: Remove feet.



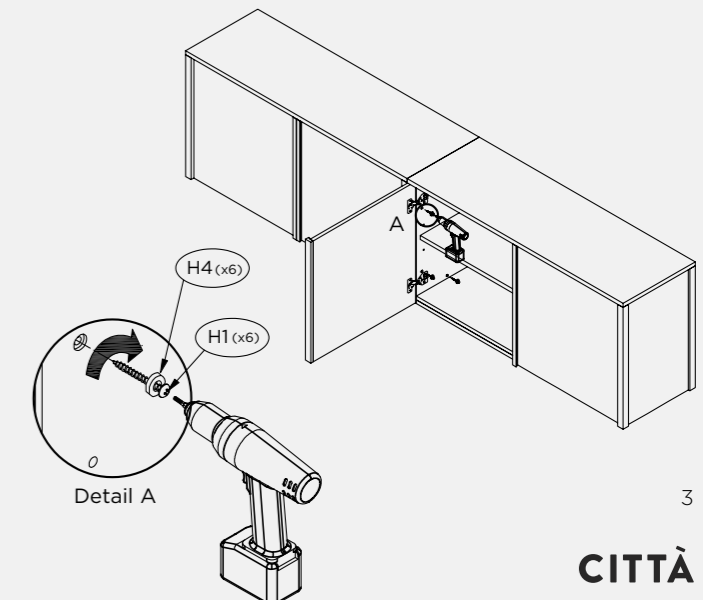
Step 3

Screw the extension cabinet to the modular cabinet with the 6 x H1 screws and H4 washers provided. Repeat steps 1-4 for all further extension cabinets if installing more than one.



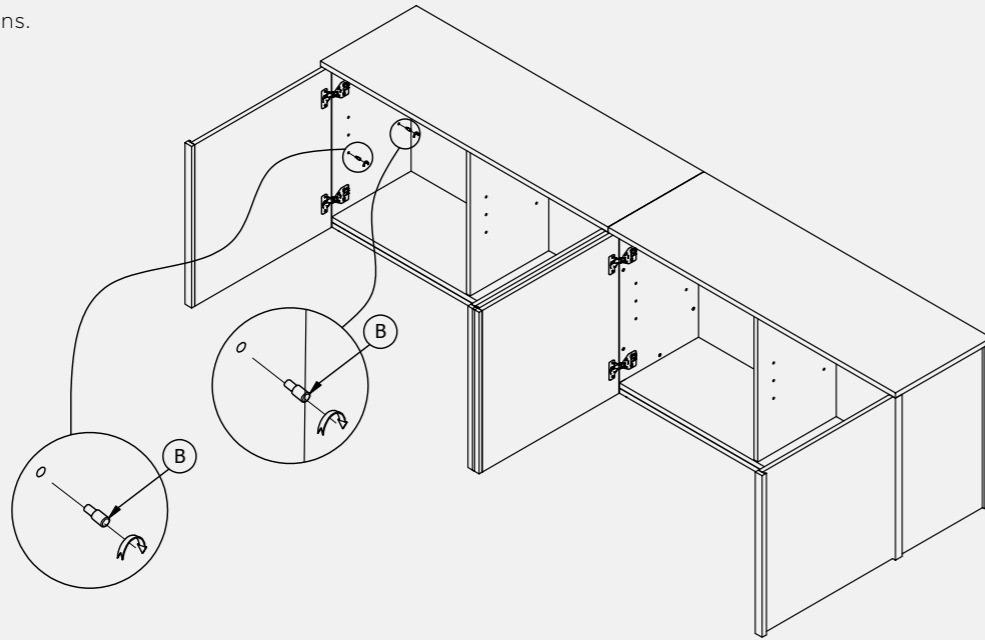
Step 4

Screw the extension cabinet to the modular cabinet with the 6 x H1 screws and H4 washers provided. Repeat steps 1-4 for all further extension cabinets if installing more than one.



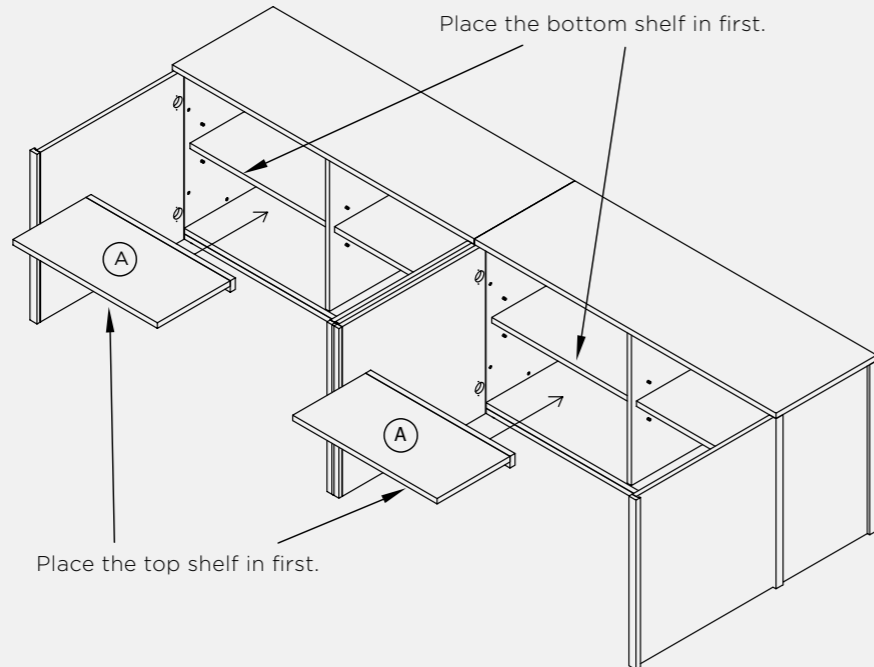
Step 3

Screw the shelf pins onto the inside of the cabinet where you would like the shelves positioned, repeat this for all the extensions.



Step 4

Place the shelves onto the pins, the deeper solid rail sits at the back of the cabinet.



METALLA CONCEALED HINGES

METALLA A (slide-on system)

• The door is fitted onto the fixed mounting plate by sliding on



Slide on system

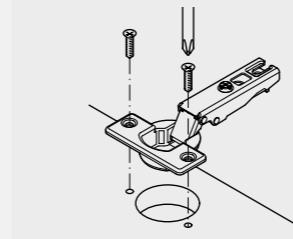


Clip on system

METALLA SM (quick fixing system)

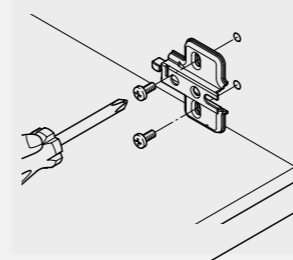
• The door is fitted onto the fixed mounting plate using quick fixing system

Attachment methods



Cup for screw fixing

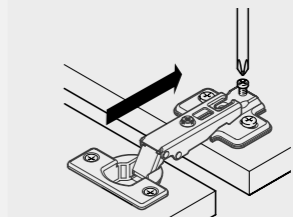
Cup fixing with chipboard screws with countersunk head



Mounting plate for screw fixing

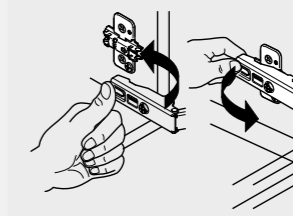
Fitting with chipboard screws or with pre-mounted countersunk special screws into 32 mm series drilled holes

Mounting door to cabinet



METALLA A Slide on system

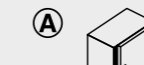
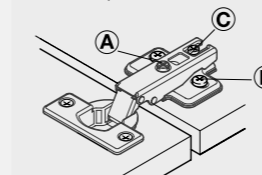
Hinge arm is slide onto mounting plated and screwed in position.



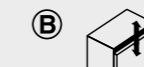
METALLA SM Quick fixing system

Hinge arm is position and clipped onto mounting plate. It can easily be removed from the mounting plate.

Adjustment options



Lateral adjustment: Adjusting distance on concealed hinge ± 3 mm



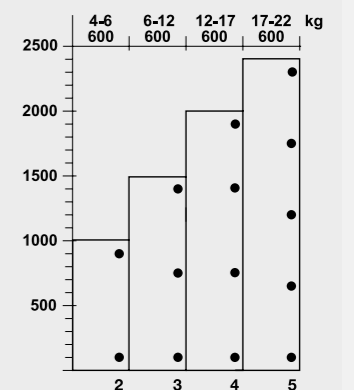
Height adjustment: Via mounting plates adjusting distance ± 2 mm



Depth adjustment: Adjusting distance on concealed hinge + 4 mm, -1 mm

Number of concealed hinges per door

- > The values in the table are sample measurements. A trial mounting is recommended.
- > The number of concealed hinges per door depends on:
 - Door width and height, door weight and door material. According to the example diagram, with a door height of 1,500 mm and a door weight of 6-12 kg, three concealed hinges have to be fitted.



Code & Length Component Description

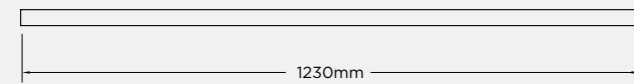
It is important to understand that the 'modular' Craft cabinet and shelf are 30mm longer than the 'extension' Craft cabinet and shelf. This is because the 'modular cabinet' has legs on both the left and right. The 'extension' only has a leg on the right. When installed side by side, you achieve a symmetrical aesthetic without a double-up of legs between the two cabinets.

Because of this difference in cabinet length, there is a second shorter 'extension' shelf to pair with the shorter 'extension' cabinet.

For an aligned installation, please ensure the length of the cabinets and the length of the shelves match correctly.

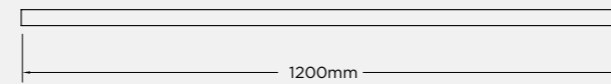
OTI0019 - Craft Shelf Modular Oak

OTI0020 - Craft Shelf Modular Smoked Oak



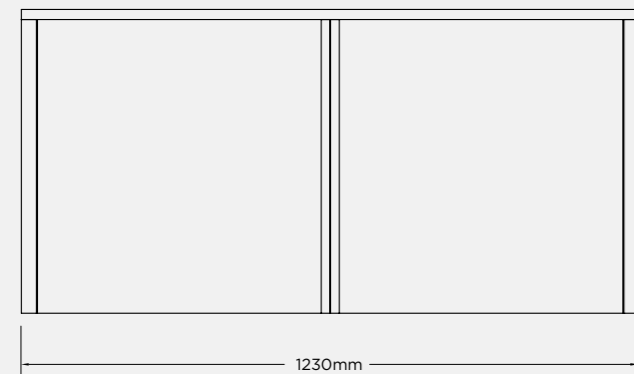
OTI0016 - Craft Shelf Modular Extension Oak

OTI0017 - Craft Shelf Modular Extension Smoked Oak



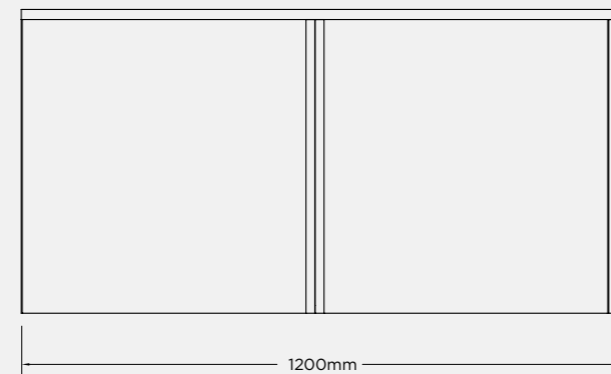
OTI0012 - Craft Cabinet Modular Oak

OTI0014 - Craft Cabinet Modular Smoked Oak



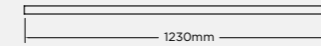
OTI0013 - Craft Cabinet Modular Extension Oak

OTI0015 - Craft Cabinet Modular Extension Smoked Oak

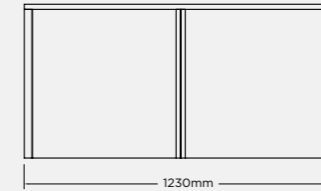


Layout Examples

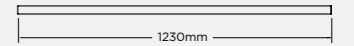
1 x Cabinet Modular



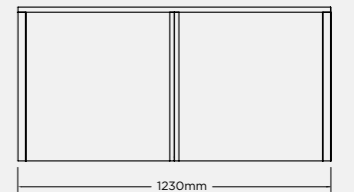
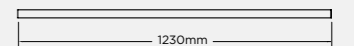
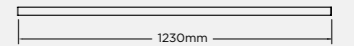
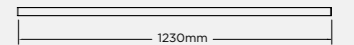
1 x Shelf Modular



1 x Cabinet Modular

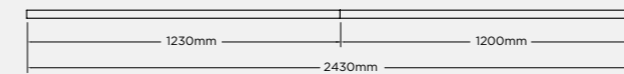


4 x Shelf Modulars



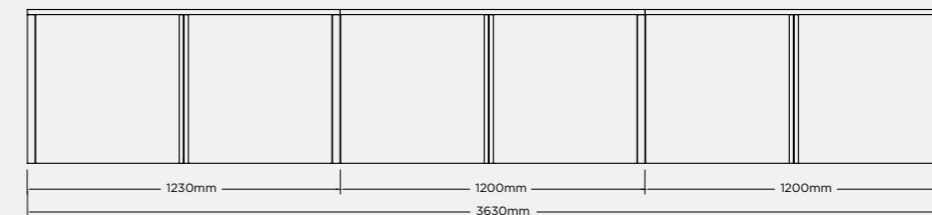
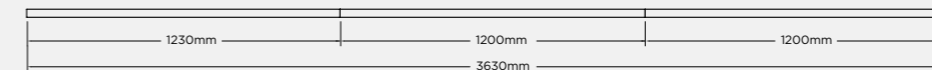
1 x Cabinet Modular + 1 x Cabinet Extension

1 x Shelf Modular + 1 x Shelf Extension



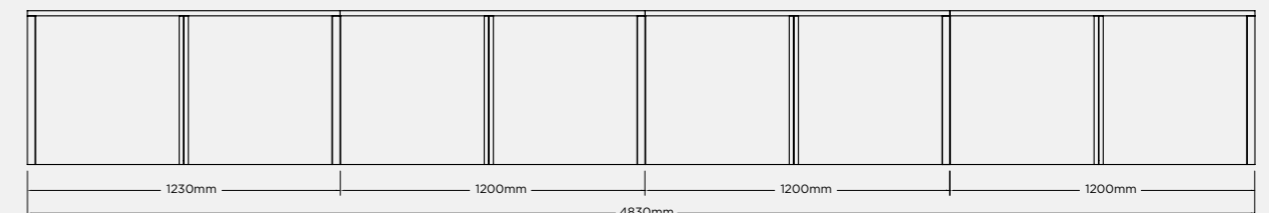
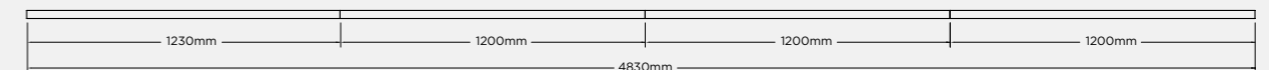
1 x Cabinet Modular + 2 x Cabinet Extensions

1 x Shelf Modular + 2 x Shelf Extensions



1 x Cabinet Modular + 3 x Cabinet Extensions

1 x Shelf Modular + 3 x Shelf Extensions



Colour and Grain Variance

As you know oak is a natural material with variance in its colour, tone and grain and it's important to understand that the Craft cabinets are floating shelves will also have these inherent material variations.

So if you are installing the oak or smoked oak components next to each other you need to understand that you might encounter some of the aforementioned variation, as shown in the below installation.

Please note, in our styled imagery there are no visible bolts underneath the shelves. When installed within your space, there will be two visible bolts and washers on the underside of every shelf.



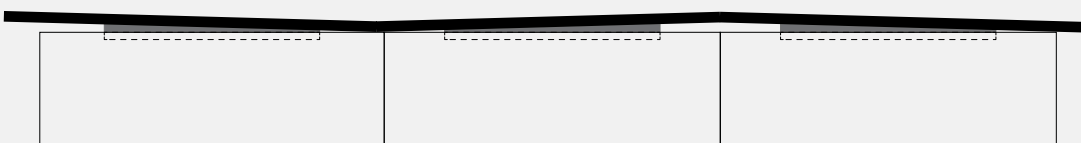
Here is an image of the washer and bolt.



Finishing Touches



A crooked wall will mean that you could be left with gaps and mis aligned front edges of the cabinets.



Scribing the cabinets into the wall or sanding the ends of the cabinets can't be done, so packing out the brackets to sit square is the only option for a crooked wall. This will mean there will be a gap between the back of the shelf and the wall, which can potentially be filled with filler or left as a negative detail.