
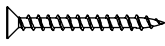





CITTÀ

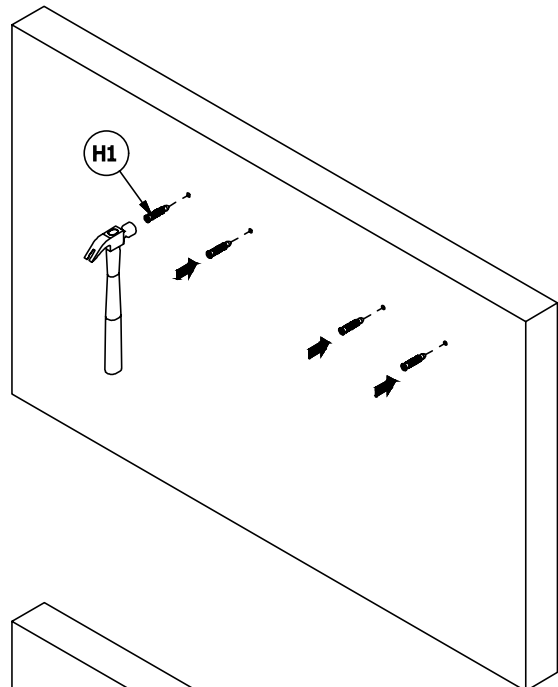
Craft Shelf Modular and Extension

H1 Wall Plug x 4	H2 Flat Head Screw x 4	H3 Flat Washer x 2	H4 Hex Bolt M6 x 2	H5 Allen Key
				

Tools Required Drill
 Hammer

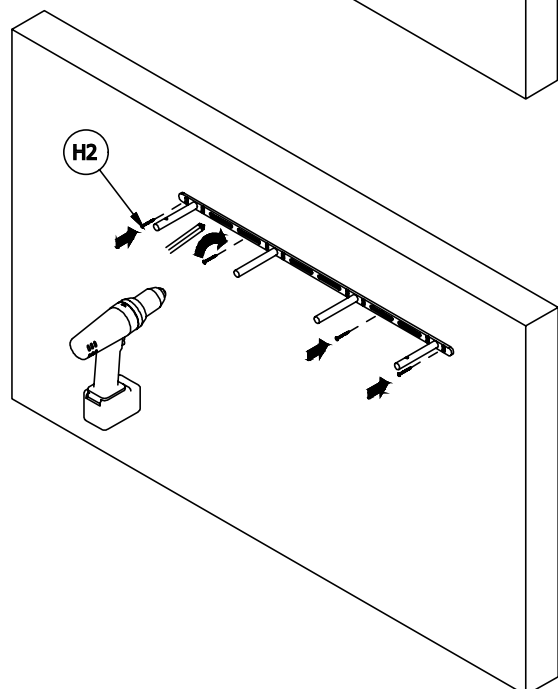
Step 1

Make 4x marks for the wall plugs (H1). Use a level to ensure the marks are square and make sure you have at least two fixing points into a stud or nogg. Hammer the wall plugs into the wall.



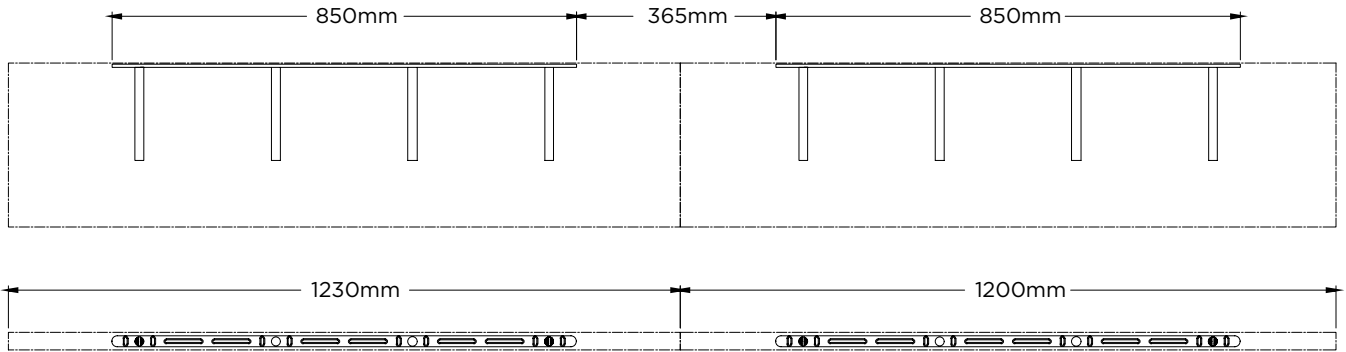
Step 2

Fix the bracket to the wall using the 4 x screws (H2). Use a level to ensure the bracket sits square.



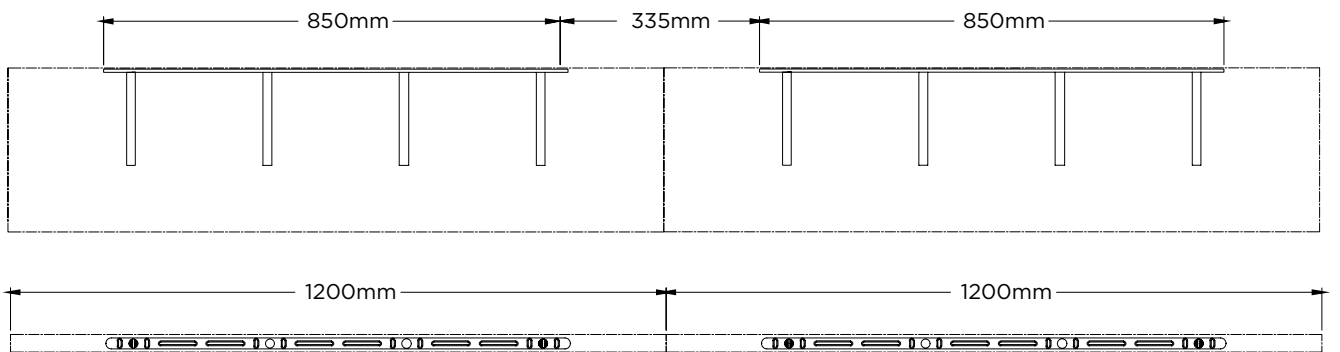
Bracket Layout - Modular Shelf to Extension Shelf

When you want to install a Craft shelf 'modular' to sit flush next to a Craft shelf modular 'extension', the brackets need to be 365mm apart.



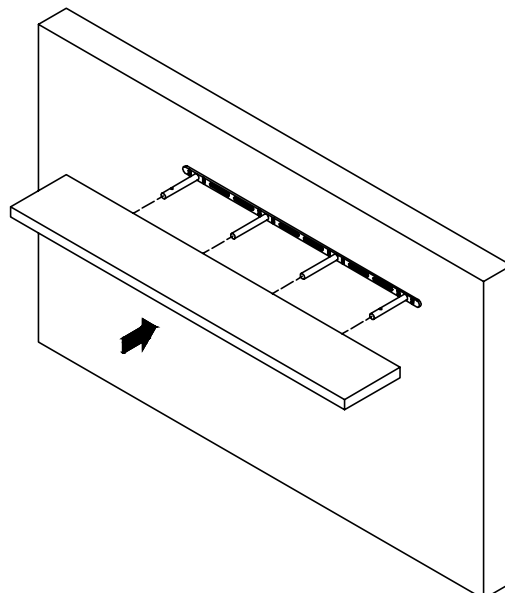
Bracket Layout - Extension Shelf to Extension Shelf

When you want to install a Craft shelf modular 'extension' to sit flush next to a Craft shelf modular 'extension', the brackets need to be 350mm apart.



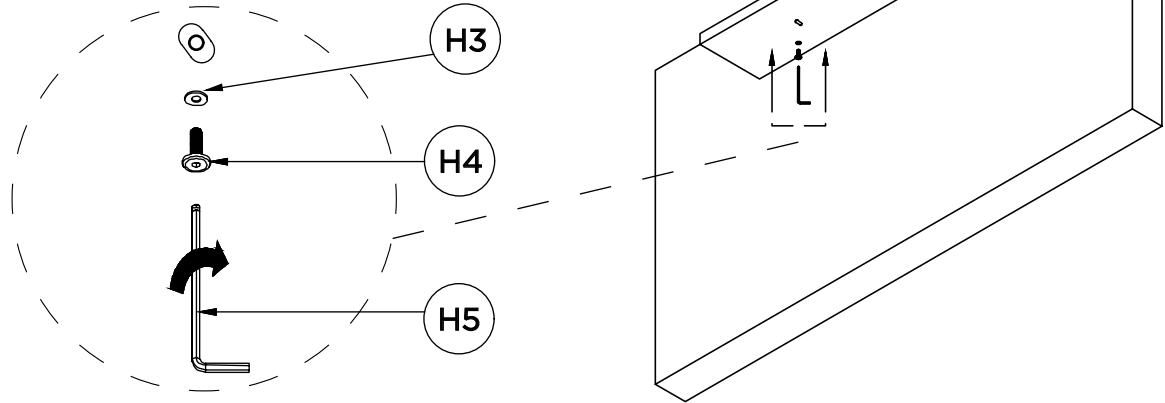
Step 3

Slide the shelf onto the poles until it sits flush with the wall. Please note: If your wall is uneven, it could affect the alignment of the shelf onto the bracket.



Step 4

Use the allen key to attach the bolts into the poles.



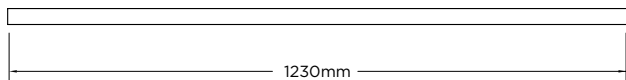
Code & Length Component Description

It is important to understand that the 'modular' Craft cabinet and shelf are 30mm longer than the 'extension' Craft cabinet and shelf. This is because the 'modular cabinet' has legs on both the left and right. The 'extension' only has a leg on the right. When installed side by side, you achieve a symmetrical aesthetic without a double-up of legs between the two cabinets.

Because of this difference in cabinet length, there is a second shorter 'extension' shelf to pair with the shorter 'extension' cabinet. For an aligned installation, please ensure the length of the cabinets and the length of the shelves match correctly.

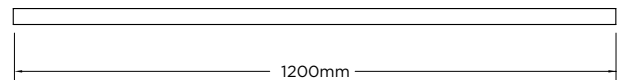
OTI0019 - Craft Shelf Modular Oak

OTI0020 - Craft Shelf Modular Smoked Oak



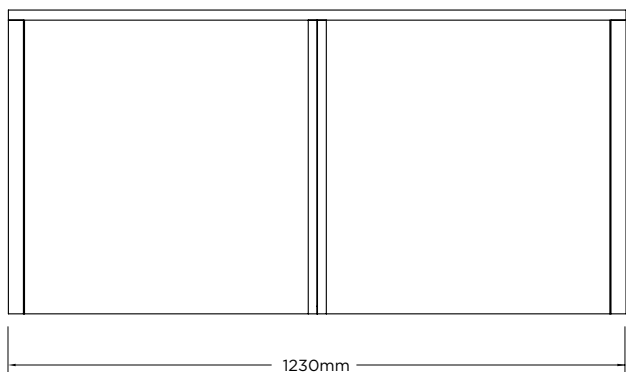
OTI0016 - Craft Shelf Modular Extension Oak

OTI0017 - Craft Shelf Modular Extension Smoked Oak



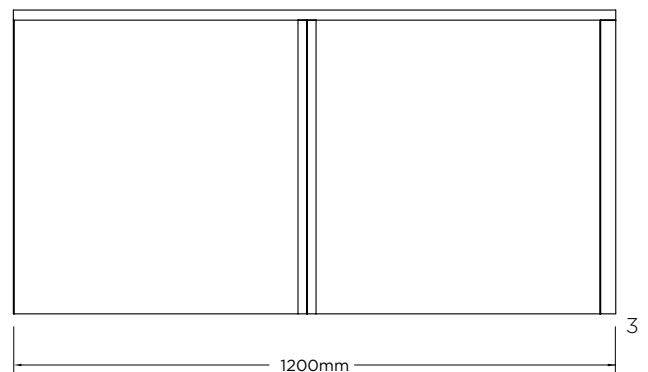
OTI0012 - Craft Cabinet Modular Oak

OTI0014 - Craft Cabinet Modular Smoked Oak



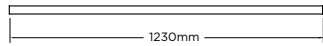
OTI0013 - Craft Cabinet Modular Extension Oak

OTI0015 - Craft Cabinet Modular Extension Smoked Oak

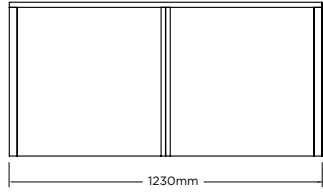


Layout Examples

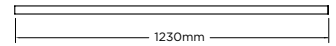
1 x Cabinet Modular



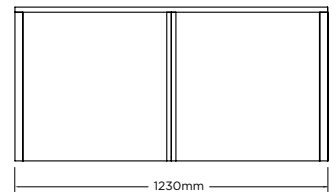
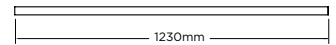
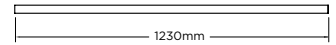
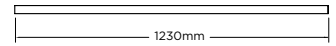
1 x Shelf Modular



1 x Cabinet Modular

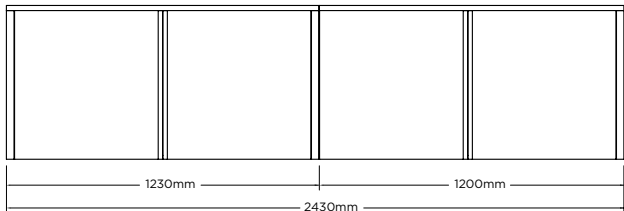
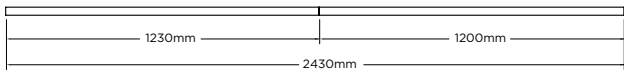


4 x Shelf Modulars



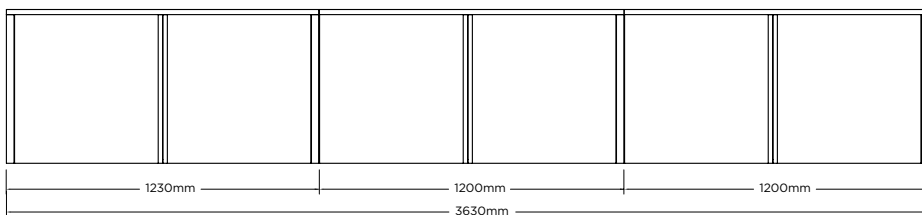
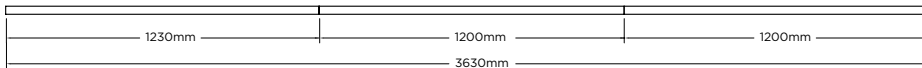
1 x Cabinet Modular + 1 x Cabinet Extension

1 x Shelf Modular + 1 x Shelf Extension



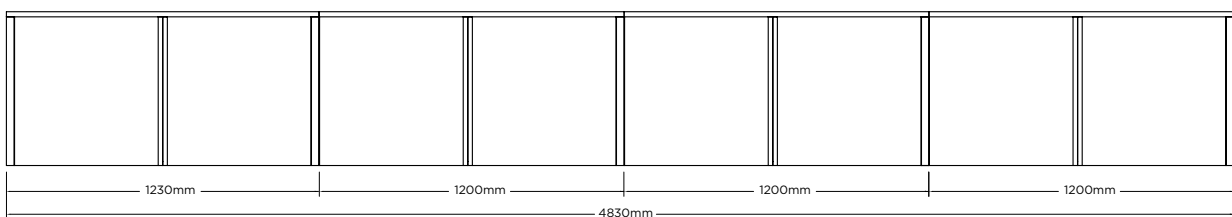
1 x Cabinet Modular + 2 x Cabinet Extensions

1 x Shelf Modular + 2 x Shelf Extensions



1 x Cabinet Modular + 3 x Cabinet Extensions

1 x Shelf Modular + 3 x Shelf Extensions



Colour and Grain Variance

As you know oak is a natural material with variance in its colour, tone and grain and it's important to understand that the Craft cabinets are floating shelves will also have these inherent material variations.

So if you are installing the oak or smoked oak components next to each other you need to understand that you might encounter some of the aforementioned variation, as shown in the below installation.

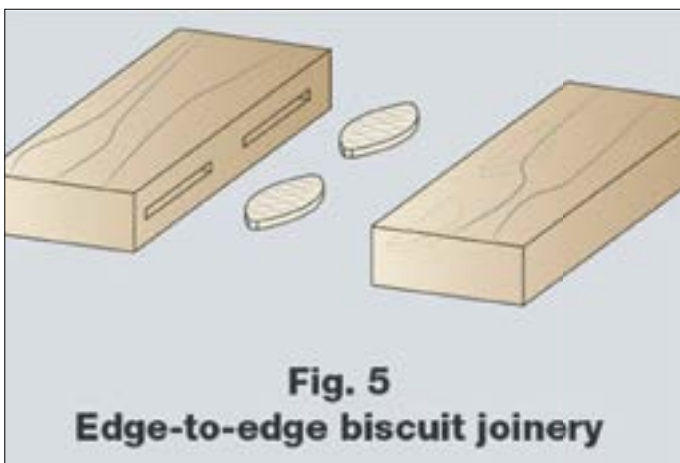
Please note, in our styled imagery there are no visible bolts underneath the shelves. When installed within your space, there will be two visible bolts and washers on the underside of every shelf.



Here is an image of the washer and bolt.



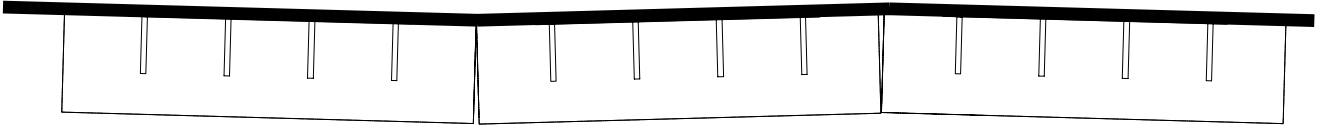
Finishing Touches



When the shelves sit next to each other adding biscuits into the end of both shelves will help them align perfectly flush.

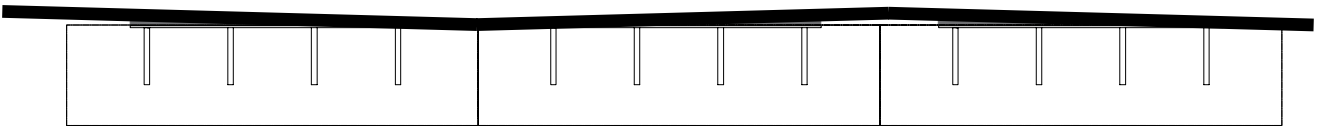
Finishing Touches

A crooked wall will mean that you could be left with gaps and mis aligned shelves.



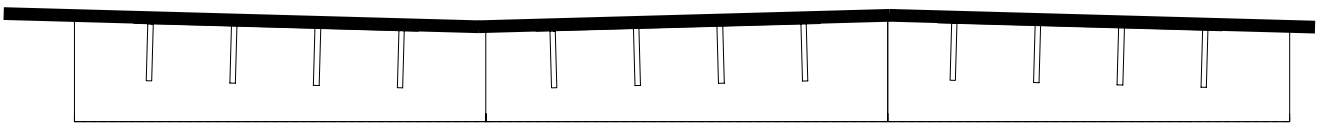
Option 1: Pack the brackets out to sit square.

This will mean there will be a gap between the back of the shelf and the wall, which can potentially be filled with filler or left as a negative detail.



Option 2: Scribe the shelves into the wall

This is dependant on how crooked the wall is, you need to make sure the brackets can still recess into the cavity in the back of the shelf.



Option 3: Sand off the ends of the shelves

This will require the ends of the shelves to be re finished, so the smoked oak will need to be re stained and then re finished with matt wax or oil.

