

CITTÀ

Point Pendant Light

Product Information Document

The Point pendant is the result of a collaboration between product designer Alex Buckman and Città's 3D design team, David Moreland and Nikolai Sorensen. Awarded a Gold Pin at New Zealand's prestigious Best Design Awards in 2020.

The unique pendant makes a statement with its spherical hand-blown glass shade and pared-back aesthetic. The modular design gives you the ability to create a lighting configuration customised to your space. The shade is crafted by skilled artisans using traditional glass-blowing techniques. In the elaborate process, molten glass is handled on the end of a blowpipe and then mouth-blown into a fixed-shaped mould. This handcrafted nature may create some variations in colour.



Point Pendant Light

Material

Mild steel, Glass

Colour



Smoke Grey Glass

Small Pendant: EBL0008PS
Large Pendant: EBL0008PL
Small Extension: EBL0008PES
Large Extension: EBL0008PEL



Clear Glass

Small Pendant: EBL0007PS
Large Pendant: EBL0007PL
Small Extension: EBL0007PES
Large Extension: EBL0007PEL

Dimensions Packaged Small Pendant: 28.7 x 37 cm(h)
Large Pendant: 54.6 x 55.1 x 45 cm(h)

Dimensions Assembled Small Pendant: ø21.1 x 54 cm(h)
Large Pendant: ø30 x 73.9 cm(h)

Weight Packaged Small Pendant: 3.2 kg
Large Pendant: 4.9 kg

Weight Assembled Small Pendant: 2.7 kg
Large Pendant: 4.1 kg

Specification

- Integrated 2700k LED light source non-dimmable
- Lumen rating: 45 LM | Max. 9 Watts
- Cable Length: 250 cm | Ceiling Rose: 12.2ø x 4 cm
- Guanzin constant voltage LED driver, Model #AED18-2400750VDCWO
- 3 year warranty
- LED has a 50,000 hour expected lifespan
- Not IP rated for bathroom or wet area use
- When connecting the extensions, please ensure the pendant light is turned off at the wall
- Remove end cap when connecting the extension
- To connect, rotate the thread clockwise until the extension pole sits flush with the pendant pole
- A max of three large or small extension can be connected to the pendant, totalling a string of four lights

Extension: 28.5 x 28.5 x 32.5 cm(h)
Extension: 37.6 x 37.6 x 41.4 cm(h)

Extension: ø21.1 x 31 cm(h)
Extension: ø30 x 46 cm(h)

Extension: 1.6 kg

Extension: 2.6 kg

Extension: 1.7 kg

Extension: 2.5 kg

Care Instructions

Carefully clean with a warm damp cloth.
Refer to Point lighting range cleaning guide.

Assembly

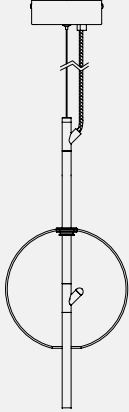
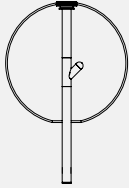
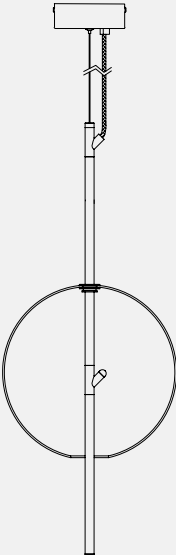
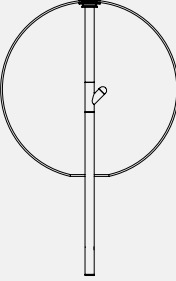
Installation required.
To be fitted by a qualified electrician only.

Residential Warranty: 2 years

Commercial Warranty: 2 years

Point Pendant Light

Components

<p>Small Pendant ø21 x 54 cm(h)</p>	 A technical line drawing of a small pendant light fixture. It features a rectangular ceiling mount at the top, connected to a vertical stem. The stem has a small hook-like detail. At the bottom of the stem, there is a circular light shade. The entire fixture is shown in a vertical orientation.
<p>Small Extension ø21 x 31 cm(h)</p>	 A technical line drawing of a small extension light fixture. It consists of a circular light shade at the top, which is attached to a vertical stem. The stem has a small hook-like detail. The fixture is shown in a vertical orientation.
<p>Large Pendant ø30 x 74 cm(h)</p>	 A technical line drawing of a large pendant light fixture. It features a rectangular ceiling mount at the top, connected to a vertical stem. The stem has a small hook-like detail. At the bottom of the stem, there is a circular light shade. The entire fixture is shown in a vertical orientation.
<p>Large Extension ø30 x 46 cm(h)</p>	 A technical line drawing of a large extension light fixture. It consists of a circular light shade at the top, which is attached to a vertical stem. The stem has a small hook-like detail. The fixture is shown in a vertical orientation.